

THE DALEK

**BUILD
THE ICONIC
BBC**



MONSTER



**THE SECOND
DOCTOR VS
THE DALEKS**



**STEP-BY-STEP
INSTRUCTIONS!**

Published
weekly • £11.99
AUS • \$23.99

16 >



9 772977 557054

DALEK

ISSUE 16



ADVENTURES IN TIME AND SPACE: THE POWER OF THE DALEKS - PART 1

3

A newly regenerated Doctor senses a sinister evil on the planet Vulcan.



THE TIME VORTEX: THE SECOND DOCTOR VS THE DALEKS

6

We take a look at the Second Doctor's clashes with his arch enemies.



STEP-BY-STEP BUILD: PART 16

8

The big gear wheel and locating cap to continue the dome installation.

Reader Services

CUSTOMER SERVICE IN THE UK
AND REPUBLIC OF IRELAND

How to continue your collection:

Subscribe online at hachettepartworks.com/Dalek or contact the Customer Service team via hachettepartworks.com/contact

Customer service & back orders:

Please visit hachettepartworks.com/contact to get in touch.

UK call 0345 155 9277

ROI call (01) 9079762

(Calls are charged at your local rate from a landline)

Published by Hachette Partworks Ltd
4th Floor, Jordan House, 47 Brunswick Place, London N1 6EB

General Manager – Isabelle Couderc

Editorial Director – Helen Nally

Marketing Director – Elise Windmill

Production Director – Sema Sant Anna

Managing Editor – Sarah Gale

Distribution Manager – Paul Smith

Product Manager – Rhys Myner

Packaged by Panini Publishing, a division of Panini UK Limited.

Publishing Director Europe – Marco M. Lupoi

Managing Director – Chris Clover

Managing Editor – Alan O'Keefe

Senior Editor – Ed Hammond

Editor – John Ainsworth

Designer – Barry Spiers

Features Writer – Stuart Ashley

Distributed in the UK and Republic of Ireland by Marketforce.

© 2025 Hachette Partworks Ltd

Printed in the UK.

ISSN 2977-5574

ALL RIGHTS RESERVED

The editor's policy is to use papers that are natural, renewable and recyclable products and made from wood grown in sustainable forests. The logging and manufacturing processes are expected to conform to the environmental regulations of the country of origin.

In the event of a significant increase in production and transport costs, the publisher reserves the right to modify its selling prices.

BBC, DOCTOR WHO, TARDIS and DALEK (word marks and devices) are trade marks of the British Broadcasting Corporation and are used under licence. BBC logo © BBC 1996. DOCTOR WHO logo © BBC 1973. Dalek image © BBC/Terry Nation 1963. Licensed by BBC Studios.

The device complies with Part 15 of the FCC Rules. Operation is subject to the following two conditions: (1) this device may not cause harmful interference, and (2) this device must accept any interference received, including interference that may cause undesired operation.

All parts belong to a kit. NOT SUITABLE FOR CHILDREN UNDER THE AGE OF 14. This product is not a toy and is not intended for use in play. Follow the instructions in the enclosed magazines carefully and keep the appropriate information in a safe place. The installation of the electrical and electronic parts must always be carried out by an adult. Requires batteries.

BBC

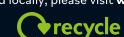


For our environmental policy in full please scan the QR code here.

hachette
PARTWORKS LTD

WHAT TO DO WITH YOUR PACKAGING?

Our packaging papers and boxes are 100% recyclable kerbside. Plastic blisters can also be 100% recyclable kerbside once separated from the cardboard. To find out what you can recycle at home and locally, please visit www.recyclenow.com



THE POWER OF THE DALEKS

PART ONE

A transformed Doctor and his companions arrive on the colony world of Vulcan.

Season 4 Episode 9
First Broadcast:
5 November 1966

The TARDIS lights dim and the console seems to come to life; switches move by themselves and dials flash on and off. The Doctor hunches over the controls, desperately weak. He falls to the floor and a strange glow envelops his body. In a matter of seconds, he is transformed. Gone is the elderly white-haired figure, replaced by a younger man with deep lines on his face and a mop of black hair.

Ben and Polly regard the unfamiliar man on the floor. Polly believes him to be the Doctor, but Ben is unconvinced. Polly reminds Ben of what the Doctor had said to them earlier: "This old body of mine is wearing a bit thin." Ben is incredulous: "So he gets himself a new one?! Do me a favour!"

The Doctor awakens and sits up. He covers his ears in pain



as a screeching sound fills his mind. "Concentrate on one thing!" he tells himself. The sound fades away. The Doctor stands. "It's over," he says, and gives a satisfied laugh. He activates the console and the TARDIS dematerialises. He tests his new body. "Muscles are still a bit tight," he comments. The Doctor starts rummaging through a chest filled with souvenirs of his old adventures. He gives Ben a mirror to hold and stares at his reflection. For a moment it changes to his former face. He looks at a piece of metal and mutters, "Extermination..." Ben and Polly are taken aback by how different he now seems. The Doctor realises that the TARDIS has landed. He opens the doors and steps outside...

The Doctor finds himself on a barren, misty landscape, filled with craggy rocks and pools of liquid mercury. He strolls across the terrain, reading his 500-year diary and tests his new legs by jumping over a rock. The Doctor hears the voice of a man nearby: "Hello! Is there anyone there?" The Doctor greets the man who is wearing a badge labelled 'Earth Examiner'. Before they can speak, the man is shot by an unseen assassin. He falls to the ground, dead. The Doctor picks up his badge. The assassin approaches the Doctor from behind, gun in hand...





Elsewhere, Ben calls out to the Doctor. He and Polly wait for the Doctor to respond. Polly is fascinated by the mercury pools. Ben warns her not to touch them. "It's quicksilver, it gets through the pores," he says. Polly inhales too much of the rising vapour and passes out. Ben yells to the Doctor for help and then also falls unconscious. The Doctor cannot hear Ben; he has been knocked out from behind by the assassin. The man plants a button in the Doctor's hand and then drags the body of the Examiner away.



A short time later, two men, Quinn and Bragen, find the three time-travellers. They see the badge and both assume that the Doctor is the Examiner. "I wonder why Earth has chosen to send an Examiner to Vulcan?" Bragen asks. "It's a mystery, isn't it? He isn't due for another two years."

Ben starts to recover. "We saw your rocket overshoot the landing area," Quinn tells him. Quinn introduces himself as the Deputy Governor, and Bragen states that he is the Head of Security. Bragen remarks to Ben, "I suppose you Earth people can't wait to examine Lesterson's space capsule." A confused Ben has no idea what he is talking about. Polly and the Doctor are carried off by Bragen's men. Ben follows them...

A group of buildings have been established on Vulcan to house a colony of humans. Inside a laboratory, a scientist named Lesterson polishes a piece of metal, staring at it intensely. A large capsule occupies one half of the room. A woman, Janley, enters. She is concerned about the arrival of an Earth Examiner. She has been using Lesterson's lab to hold political meetings. To Janley's frustration, Lesterson isn't interested. "The colony's running down and you know it," she says. "If we ran things you'd have better facilities, more money!" she adds.

Lesterson walks over to the space capsule and runs a hand across its hull. "This is what I find important," he says,

his eyes wide. "Two hundred years in a mercury swamp and this piece of metal that dropped from it, look! A couple of minutes' polishing and it's as good as new! Rain, damp, heat, mercury; nothing touches this metal! No corrosion, Janley, think of that!" Janley suggests that the Governor may have summoned the Examiner to stop Lesterson from opening the capsule. The thought unsettles the scientist. "You should join our group, Lesterson," Janley says as she departs. "You might need us one day..."

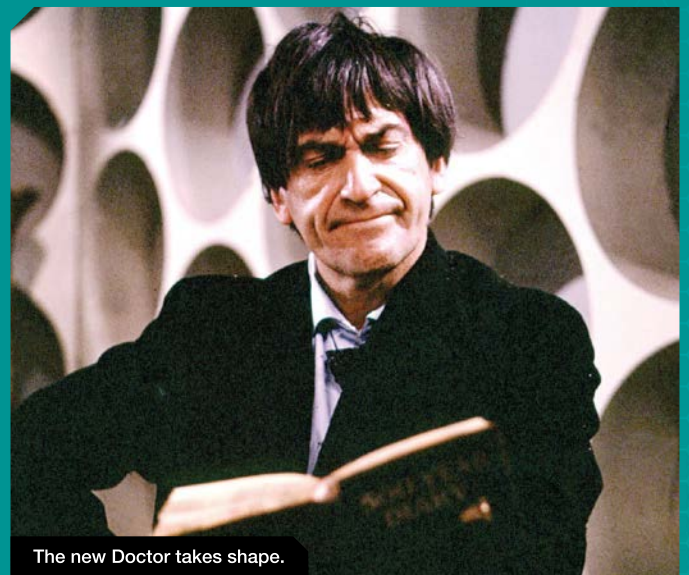
The Doctor, Ben and Polly have all recovered and have been left alone in a room. The Doctor plays with his recorder, much to Ben's annoyance. The Doctor confirms Ben's suspicion that he is going to carry on with the pretence of being the Examiner. Ben is angered by the Doctor's refusal to explain what happened to him in the TARDIS.

Hensell, the Governor of the colony, enters, accompanied by Bragen. Hensell wants to know why Earth has sent an Examiner to Vulcan, but the Doctor is understandably vague with his answer: "To examine!" he replies. Hensell believes



A BRAND-NEW DOCTOR

David Whitaker left the character of the new Doctor deliberately vague in his scripts, aware that Patrick Troughton, producer Innes Lloyd and director Christopher Barry would have their own ideas of how the part should be approached. The working title for the story was *The Destiny of Doctor Who*. In Whitaker's initial draft, when Ben asks the Doctor where he came from, the Doctor replies, "That's a rather strange question to ask me now, isn't it... you don't really want to know about my life history, do you?" The Doctor calls Ben "Bob", but after being corrected, replies, "I did get the first letter right, though, didn't I? Yes, this must be a bit confusing for you." When he finds the piece of Dalek metal, he states, "My granddaughter Susan gave me this in memory of our adventure on Skaro with the Daleks." As the TARDIS lands, the Doctor says, "I think we'll make some changes." The stage directions note that the Doctor glances at Ben and Polly; almost as if 'he might mean something sinister towards his two travelling companions.' Another former *Doctor Who* script editor, Dennis Spooner, was later brought in to make changes to Whitaker's scripts, adding more humour to the Doctor's persona.



The new Doctor takes shape.



that someone has leaked reports about the rebel groups active in the colony. The Doctor hears about Lesterson's capsule and declares that he will examine it later. Once they are alone again, Ben points out a dangerous weakness in the Doctor's disguise: "You're not gonna fool the guy who did the real Examiner in!"

Elsewhere, Quinn is annoyed to discover that nobody is allowed to see the Examiner without authorisation, including himself. He confronts Bragen in a corridor. The security chief insists that it was Hensell's order. Quinn bumps into Janley who asks him if the Examiner is going to allow Lesterson to open the capsule. He says he is heading to the lab to find out.

The Doctor, Ben and Polly have arrived in Lesterson's lab. Ben and Polly watch silently as the Doctor examines the space capsule with a magnifying glass. He finds the stray piece of metal from the capsule sitting on a table. The

Doctor seems slightly unnerved when he picks it up. "This metal could revolutionise space travel!" Lesterson eagerly declares. As Lesterson continues to talk, the Doctor stares at the metal and repeats the word he spoke in the TARDIS: "Extermination..."

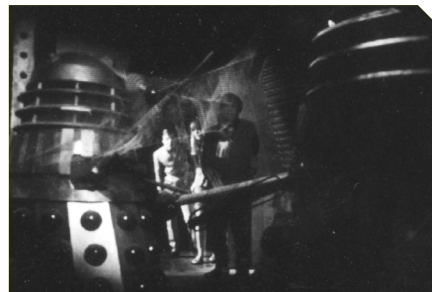
Lesterson tries a laser device to activate the capsule's opening mechanism. The door slides open but it only leads to a small, empty chamber. Lesterson says that it will take time to find the lock to the interior door. The Doctor declares that nothing more should be done today and departs with Ben and Polly. Hensell sees an opportunity to keep the Doctor busy, and asks Lesterson to occupy him with the capsule. "I don't mind what you do with him so long as you keep his nose out of our business," Hensell says. Lesterson agrees.

Night falls on the colony. Polly notices that the Doctor has slipped out of their room. She and Ben follow him as he sneaks back to Lesterson's lab. The Doctor soon finds the lock to the capsule's interior door and opens it. A dark, dusty chamber lies inside, covered in cobwebs. Two large shapes are present, only half visible in the shadows. They are deathly still. "Polly... Ben... come in and meet the Daleks," the Doctor whispers. He pulls out the piece of metal from the TARDIS; it is identical to the one Lesterson found. "I knew I should find them here," the



Doctor says. Ben and Polly assume that the three Daleks are dead. They notice that there is an area on the floor not covered in dust which is the shape of a Dalek base. They realise there was a third Dalek in the capsule but it is now gone. An alarmed Doctor bends down to examine the spot.

Polly gasps in fear as a small alien creature scuttles across the room...



ALL CHANGE



Script editor Gerry Davis wrote an initial character description of the new Doctor in early autumn 1966, titled *The New Dr. Who*. The Doctor's appearance was described as 'facially has strong, piercing eyes of the explorer or sea captain. His hair is wild and his clothes look rather the worse for wear (this is a legacy from the metaphysical change which took place in the TARDIS). Obviously spares very little time and bother on his

appearance. In the first serial, he wears a fly-blown version of the clothes associated with this character.' The new Doctor's manner was indicated as being 'vital and forceful – his actions are controlled by his superior intellect and experience – whereas at times he is a positive man of action, at other times he deals with the situation like a skilled chess player, reasoning and cunningly planning his moves. He has humour and wit and also an overwhelmingly thunderous rage which frightens his companions and others.'

WHO APPEAL

Patrick Troughton admitted that he was at first reluctant to take on the lead role in *Doctor Who*. "I thought when I took over, it would last six weeks, quite honestly," he said to a gathering of fans in 1986. "I thought after three years with Billy [Hartnell] that it was getting played out. Some of the stories were beginning to get a bit thin and so on. When they asked me, I thought, 'Oh blimey, are they really going to try and resurrect this and go on with it?' I knew they didn't want an imitation of Billy but I'd no idea how to play it. I was completely unimpressed. And so, I wasn't very enthusiastic to start with. But they wooed me over a week and the money went up every day, and then I said yes! Of course, I thought, 'Even if it lasts for six weeks it will be fantastic.' And here we are, 20 years later." The Daleks were a useful way of drawing in viewers at such an important moment for the series. "That was just to help me, probably," Troughton said. "It was a fairly daunting thing to have to do, I mean, to make a success of it and for it to go on. It was a great help to bring back a very popular monster. Quite honestly, I was far too concerned with the way I was trying to play the thing and how it was going to turn out than anything else."

THE SECOND DOCTOR VS THE DALEKS

The second incarnation of the Doctor fought the Daleks on several occasions and was responsible for igniting a Dalek civil war that almost destroyed them for ever.

THE POWER OF THE DALEKS

(TV) by **David Whitaker**

A newly regenerated Doctor, Ben and Polly find themselves on the planet Vulcan which is inhabited by a small Earth colony. A naive scientist named Lesterson discovers a capsule containing three dormant Daleks and resurrects them. The Doctor tries to convince the colony's officials of the terrible danger they are facing.

THE EVIL OF THE DALEKS

(TV) by **David Whitaker**

The Doctor and Jamie are kidnapped and brought to a large manor house in 1866. They encounter Theodore



Maxtible and Edward Waterfield, two men who are working with the Daleks. The Daleks use the Doctor, Jamie and Waterfield's daughter Victoria to unlock the secret of the human factor which leads to a dramatic confrontation with the Emperor Dalek on Skaro.

FEAR OF THE DALEKS

(audio) by **Patrick Chapman**

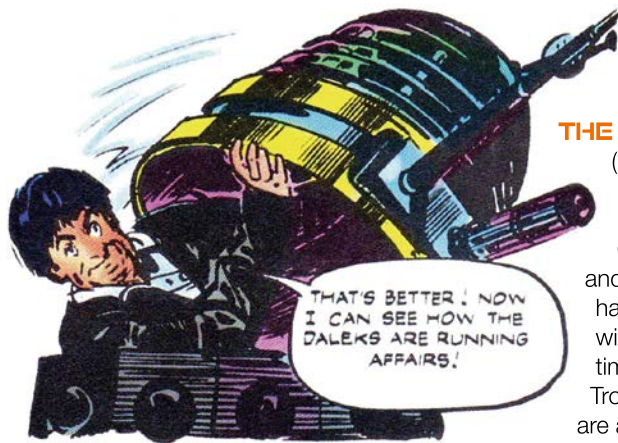
The Doctor, Jamie and Zoe arrive in

Lavonia, a city covered in a protective dome. They clash with Professor Atrika who has allied himself with the Daleks. Atrika connects Zoe to a mind projector, planning to use her consciousness to disrupt a peace conference and give the Daleks a chance to invade.

THE DEATH OF THE DALEKS

(audio) by **George Mann**

The Doctor is charged with war crimes



he engineered. The CIA send him on a mission to find one of their agents.

THE TRODOS AMBUSH

(comics) by **Roger Noel Cook & John Canning**

The Doctor, John and Gillian return to Trodos and discover that the Trods have been almost completely wiped out by the Daleks. The time-travellers escape into the Trods' underground city and are aided by the Trod survivors.

The Doctor vows to battle the growing menace of the Daleks.

THE DOCTOR STRIKES BACK

(comics) by **Roger Noel Cook & John Canning**

The Doctor builds a fake Dalek as a disguise. He uses it to infiltrate a Dalek mining operation where 10,000 new Daleks are about to be created. The Doctor is discovered but escapes. The Daleks begin to turn on each other as they search for him. The Doctor impersonates the Dalek Supreme and orders the Dalek army to self-destruct.

THE EXTERMINATOR

(comics) by **Roger Noel Cook & John Canning**

The Doctor, John and Gillian observe Daleks leaving a futuristic train and learn that they are waiting for a ship carrying the greatest Dalek strategists. They are preparing the Exterminator, a massive weapon that can destroy entire planets with one blast. The Doctor derails a second Dalek train and takes control of the Exterminator.

JUNGLE ADVENTURE

(comics) by **Roger Noel Cook & Patrick Williams**

The Doctor tests his latest invention,

on the planet Tersimmon, a colony world that has survived a Dalek invasion. Jamie defends the Doctor against the accusations. The Doctor has visions of a mysterious Ghost Dalek. The Doctor confronts his own guilt over causing the genocide of the Daleks in the aftermath of the civil war he instigated on Skaro.

DAUGHTER OF THE GODS

(audio) by **David K. Barnes**

The First and Second Doctors meet when the Second Doctor's TARDIS collides with his predecessor's, knocking him off his correct timeline. The First Doctor learns of Katerina's impending death. The two Doctors battle the Daleks who are destroying entire planets with their doomsday device, the Time Destructor.

THE FINAL BEGINNING

(audio) by **Mark Wright & Nicholas Briggs**

The Doctor is pulled away from his own trial conducted by the Time Lords, by the Celestial Intervention Agency. He finds himself on a snowy planet where he meets a young woman named Raven. The Doctor realises he is back on Skaro, 300 years after the Dalek civil war that



Fear of the Daleks.

an exploration truck, in a space jungle. He discovers metal roads being laid by the Daleks. The Daleks destroy the exploration truck but the Doctor, John and Gillian escape by swinging on jungle vines. The Doctor uses the TARDIS power supply to send an electric current through the metal roads, destroying the Daleks.

ATTACK OF THE DALEKS

(comics) by **Roger Noel Cook & John Canning**

The Doctor, John and Gillian land on a rocky world. The Doctor tests his newest invention, the pedal-copter, and they take to the air. The pedal-copter crashes and the trio are trapped on a rocky outcrop above a squad of Daleks. The Doctor and his companions throw rocks at the Daleks, forcing them to retreat into a cave. They seal the Daleks in the cave and take their flying saucer.

BRINGER OF DARKNESS

(comics) by **Scott Gray & Martin Geraghty**

Victoria relates another encounter with the Daleks in her journal. The time-travellers are resting on a beautiful forest world when Jamie discovers three Daleks who have crash-landed. The Daleks are building a signal beacon to summon help. The Doctor and Jamie turn the beacon on the Daleks and kill them. Victoria is taken aback by the Doctor's ruthlessness.



Daughter of the Gods.

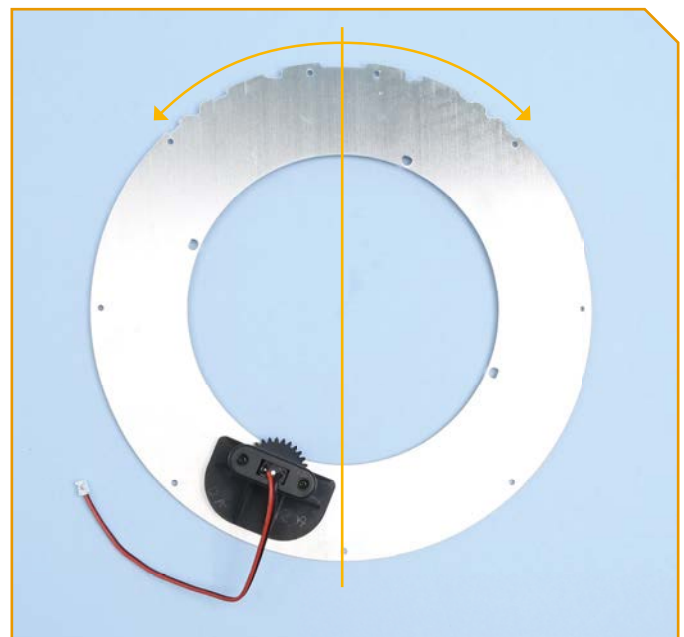
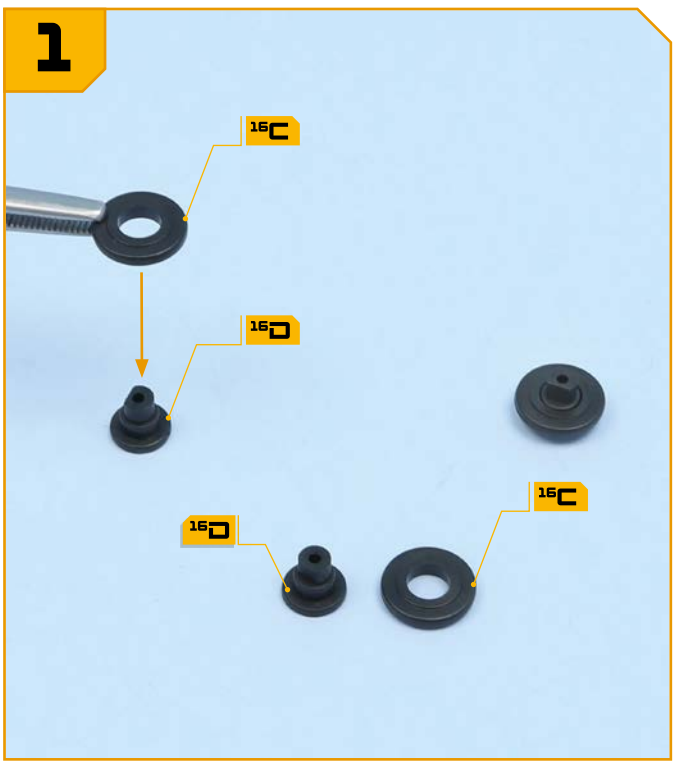
DALEK DOME

THE DOME ROTATION MECHANISM



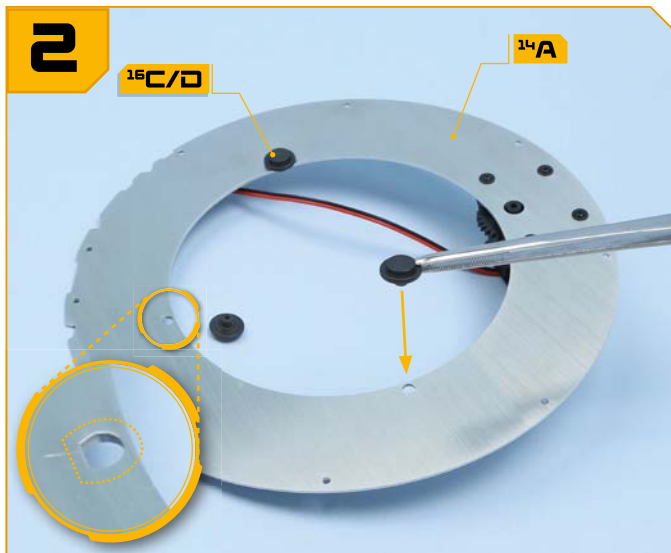
COMPONENTS OF ISSUE 16

16A	COG RING
16B	THREE LOCATING WHEEL CAPS
16C	THREE LOCATING WHEELS
16D	THREE LOCATING WHEEL HUBS
AP	FOUR 2.3 X 5MM PB SCREWS (1 SPARE)
BP	TEN 2.6 X 5MM PB SCREWS (1 SPARE)
CP	SEVEN 2.6 X 3MM PWB SCREWS (1 SPARE)
—	
—	
—	



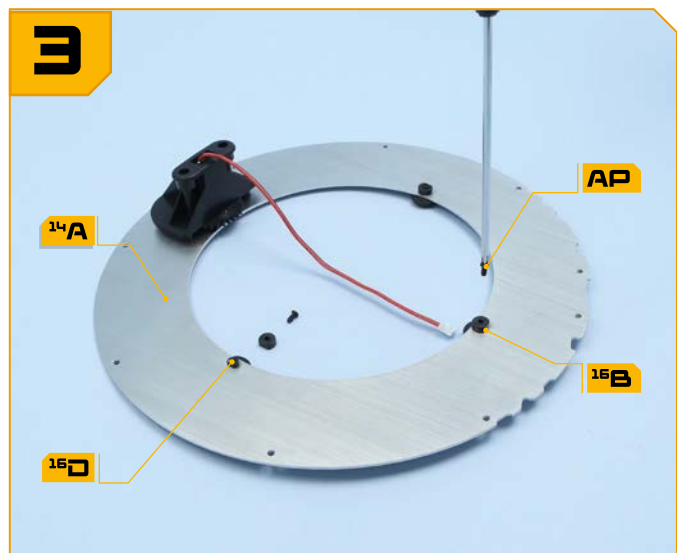
TIP
 Before continuing, take the circular plate assembly from issue 14 and check the position of the motor. The motor is not quite central. Note that the motor sits on the upper side of the plate 14A. Find the centre point of the set of indentations on the edge of the ring 14A (it is a wide recess). Running a line directly across the circular plate from the centre of the indentations, the motor is to the left of the centre line. If the motor is not in the correct position, shown here, undo the fixing screws and turn the circular plate over before re-fixing the motor.

#06-01
 Take the three hubs 16D and the three wheels 16C. Fit the wheels on to the hubs.



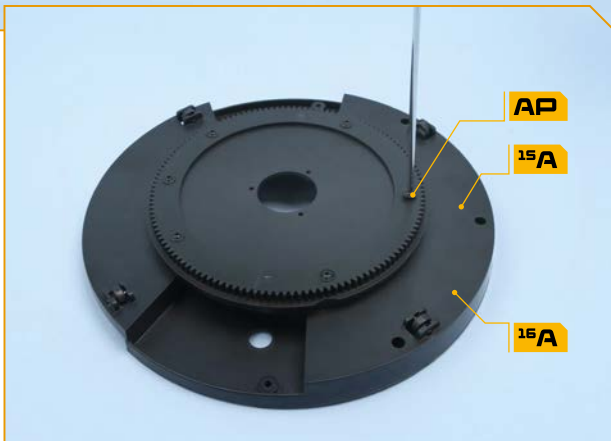
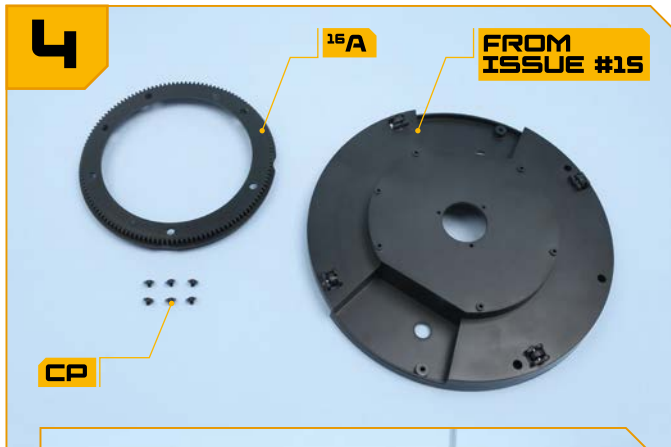
#06-02

Take the circular plate assembly from issue 14 and place it upside down, taking care not to damage the motor. Fit the three hubs **16D** into the three holes on the inner edge of the circular plate **14A**: the stem of the hubs are D-shaped, to fit into the D-shaped holes in part **14A**.



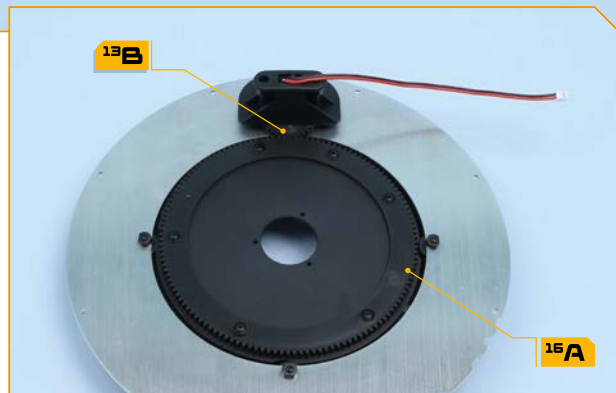
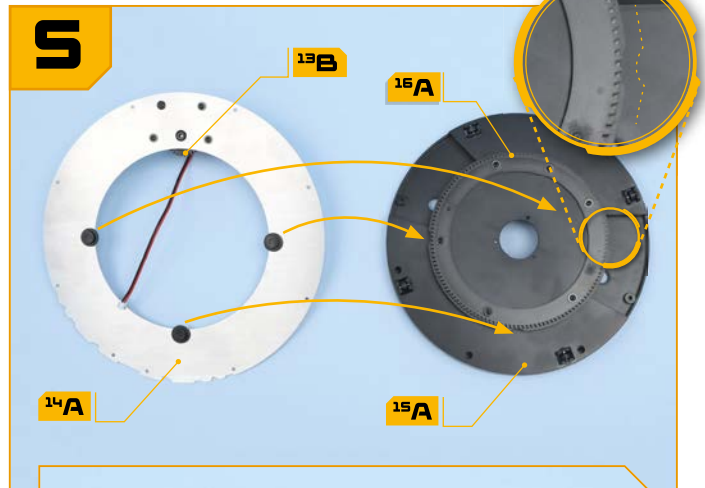
#06-03

Turn the ring the other way up. Take the three caps **16B** and fit them on top of the hubs **16D**. Fix each of the caps in place with an **AP** screw.



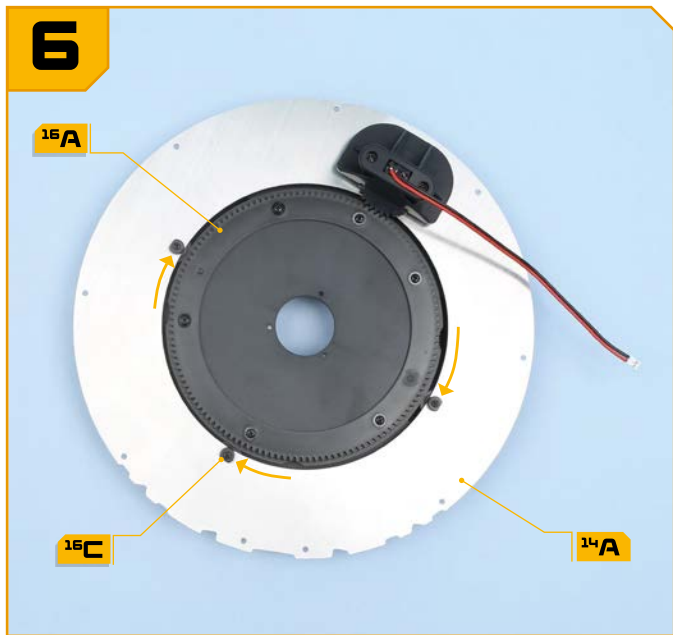
#06-04

Take the cog support assembly from issue 15 and fit the cog ring **16A** to the centre so that the raised screw sockets on part **15A** fit into the large screw holes in part **16A**. The screw holes are spaced differently on each side so that the ring is fitted in the correct orientation. Fix the ring in place with six **CP** flange screws.

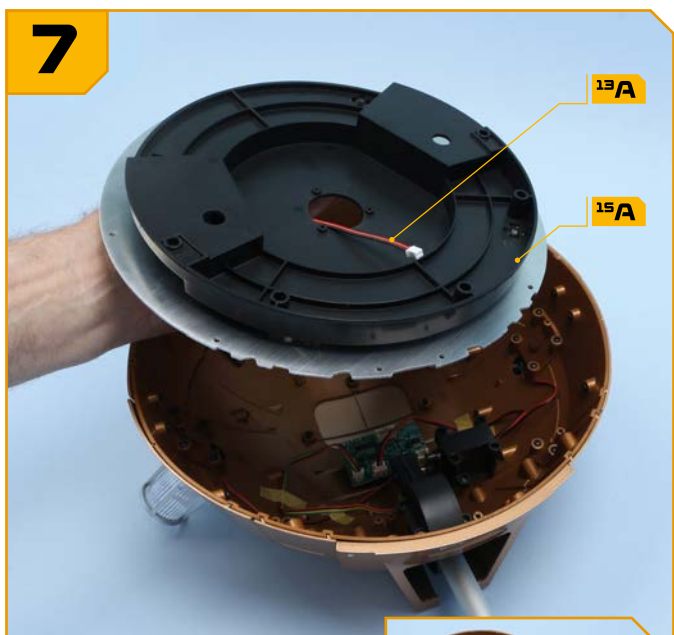


#06-05

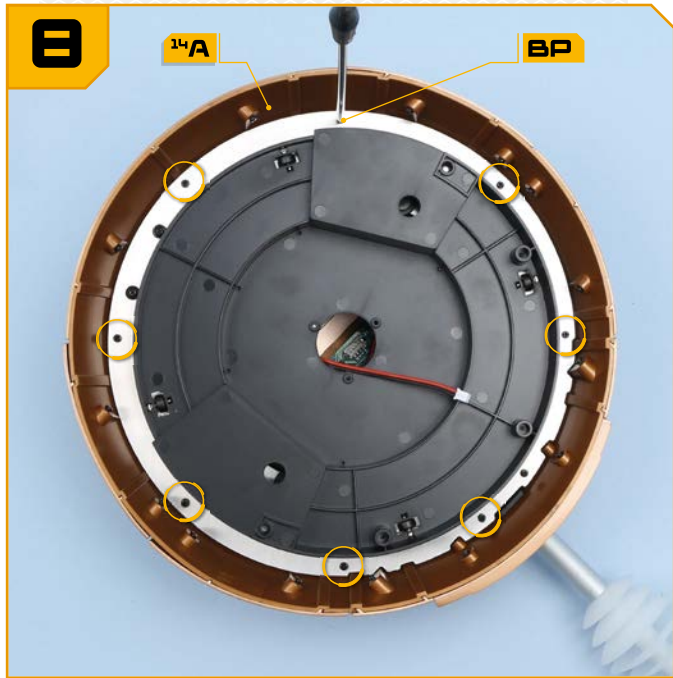
Take the circular plate assembly from step 3 and fit it on top of the cog ring assembly from step 4. The three wheels **16C** attached to part **14A** fit into recesses in the cog ring **16A** (arrows). Check that the teeth on the cog **13B** interlock with the teeth on the circular cog **16A** (inset).



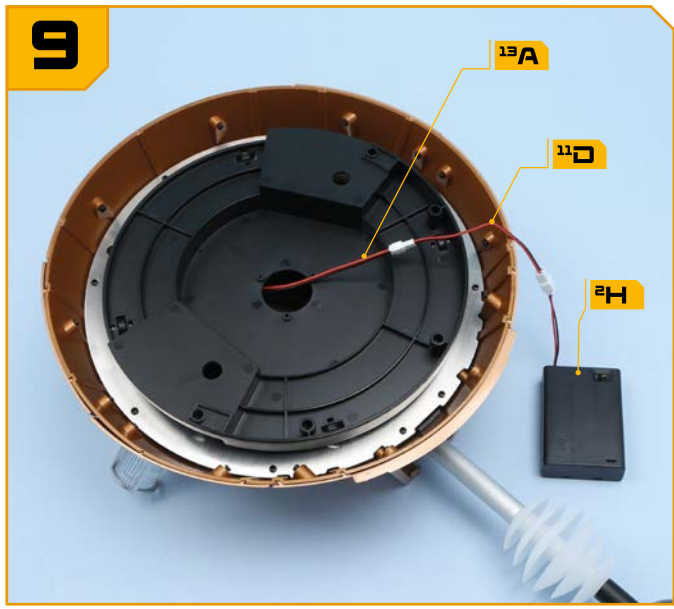
#016-06
Gently press the circular plate **14A** and rotate it so that the three locating wheels **16C** are moved away from the recesses in the cog **16A**.



#016-07
Take the dome assembly from issue 12 and check that all the cables are taped to the inside of the dome. Gently lower the base assembly from step 6 into the dome. Bring the connector from the motor **13A** that was fitted in issue 14 up through the central hole in part **15A**. The motor that is attached to the plate **14A** is on the opposite side of the dome to the eye arm; recesses in the rim of the circular plate **14A** fit around shapes in the inside of the dome.



#016-08
Fix the circular plate **14A** to the inside of the dome: there are nine screw holes (circled) around the rim of the plate **14A**, which align with sockets on the inside of the dome. Fix in place with nine **BP** screws.



#016-09
Take the battery box **2H** from issue 2 and check that it has batteries and is switched to off. Plug the cable from the battery box into the large socket on cable **11D** and connect the small socket to the connection from the motor **13A**, which was fitted through the central hole in step 7.

10**#016-10**

To test the motor you will need to stand the dome on a square or cylindrical box (or similar), which should have sides or diameter measuring between 15cm and 18cm. When the dome is stable on the block, you can test the motor by switching on the battery box. The dome will rotate. **For the test set up, it only rotates in one direction, but when the model is finished it will move in both directions.**

11**#016-11**

After testing, switch off the battery box and unplug the cables. Store carefully. Check that the locating wheels are not aligned with the recesses in the cog ring, so that the cog support plate **15A** is held in place.

COMPLETED WORK**#016-COMPLETED WORK**

A cog and locating wheels have been fitted to a base plate for the dome, and the rotation of the dome has been tested.



THE DALEK

COMING IN
ISSUE 17

BUILD PART 17

Continue the build with the round base, stand columns and two parts of the backrest.



ANATOMY OF A DALEK



Discover how Davros is kept alive by his mobility chair.

ADVENTURES IN TIME AND SPACE



Interrogation for the Doctor in *Genesis of the Daleks* – Part 4

Every week at your newsagent! Visit hachettepartworks.com/Dalek