

THE DALEK

**BUILD
THE ICONIC
BBC**



MONSTER



**THE SEVENTH
DOCTOR VS
THE DALEKS!**



**STEP-BY-STEP
INSTRUCTIONS!**

Published
weekly • £11.99
AUS • \$23.99

22 >



9 772977 557054

DALEK

ISSUE 22



ADVENTURES IN TIME AND SPACE: REMEMBRANCE OF THE DALEKS - PART 3 **3**

The Doctor attempts to pit the two Dalek factions against each other.



THE TIME VORTEX: THE SEVENTH DOCTOR VS THE DALEKS **6**

Explore the many times the Seventh Doctor has fought the Daleks.



STEP-BY-STEP BUILD: PART 22 **8**

More bucket and pipe pieces to continue the build of the mid-section.

Reader Services

CUSTOMER SERVICE IN THE UK
AND REPUBLIC OF IRELAND

How to continue your collection:

Subscribe online at hachettepartworks.com/Dalek or contact the Customer Service team via hachettepartworks.com/contact

Customer service & back orders:

Please visit hachettepartworks.com/contact to get in touch.

UK call 0345 155 9277

ROI call (01) 9079762

(Calls are charged at your local rate from a landline)

Published by Hachette Partworks Ltd
4th Floor, Jordan House, 47 Brunswick Place, London N1 6EB

General Manager – Isabelle Couderc
Editorial Director – Helen Nally
Marketing Director – Elise Windmill
Production Director – Sema Sant Anna
Managing Editor – Sarah Gale
Distribution Manager – Paul Smith
Product Manager – Rhys Myner

Packaged by Panini Publishing, a division of Panini UK Limited.

Publishing Director Europe – Marco M. Lupoi
Managing Director – Chris Clover
Managing Editor – Alan O'Keefe
Senior Editor – Ed Hammond
Editor – John Ainsworth
Designer – Barry Spiers
Features Writer – Stuart Ashley

Distributed in the UK and Republic of Ireland by Marketforce.

© 2025 Hachette Partworks Ltd

Printed in the UK.

ISSN 2977-5574

ALL RIGHTS RESERVED

The editor's policy is to use papers that are natural, renewable and recyclable products and made from wood grown in sustainable forests. The logging and manufacturing processes are expected to conform to the environmental regulations of the country of origin.

In the event of a significant increase in production and transport costs, the publisher reserves the right to modify its selling prices.

BBC, DOCTOR WHO, TARDIS and DALEK (word marks and devices) are trade marks of the British Broadcasting Corporation and are used under licence. BBC logo © BBC 1996. DOCTOR WHO logo © BBC 1973. Dalek image © BBC/Terry Nation 1963. Licensed by BBC Studios.

The device complies with Part 15 of the FCC Rules. Operation is subject to the following two conditions: (1) this device may not cause harmful interference, and (2) this device must accept any interference received, including interference that may cause undesired operation.

All parts belong to a kit. NOT SUITABLE FOR CHILDREN UNDER THE AGE OF 14. This product is not a toy and is not intended for use in play. Follow the instructions in the enclosed magazines carefully and keep the appropriate information in a safe place. The installation of the electrical and electronic parts must always be carried out by an adult. Requires batteries.

BBC

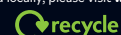


For our environmental policy in full please scan the QR code here.

hachette
PARTWORKS LTD

WHAT TO DO WITH YOUR PACKAGING?

Our packaging papers and boxes are 100% recyclable kerbside. Plastic blisters can also be 100% recyclable kerbside once separated from the cardboard. To find out what you can recycle at home and locally, please visit www.recyclenow.com



REMEMBRANCE OF THE DALEKS

PART THREE

The Imperial and Renegade Daleks fight for possession of the Hand of Omega.

Season 25 Episode 3

First Broadcast: 19 October 1988

Ace races down to the ground floor of Coal Hill School. She finds a dead soldier and grabs his anti-tank rifle. Running outside, she finds herself surrounded by three Daleks. Ace crouches down and fumbles with the rifle, knowing she will never be able to load it in time. "Exterminate! Exterminate! Exterminate!" the Daleks chant, aiming their gun-sticks at her. Ace closes her eyes and waits for the end.



The Doctor suddenly appears with Sgt Mike Smith and a squad of soldiers. The Doctor activates the device he constructed. It blasts out a stream of multi-coloured pulses that interfere with the Daleks' control systems. Mike and his men place charges on them and everyone retreats. The Daleks explode.

Group Captain Gilmore appears. Mike takes the Doctor's device and the soldiers head off into the school to search for more Daleks. Rachel and Allison examine the remains of one of the Daleks. The Doctor peers into its casing and is grabbed by the throat by a prosthetic claw.



He uses it to destroy the Daleks' device in a shower of sparks but in doing so, drains the bat of its charge. "Weapons. Always useless in the end," he says.

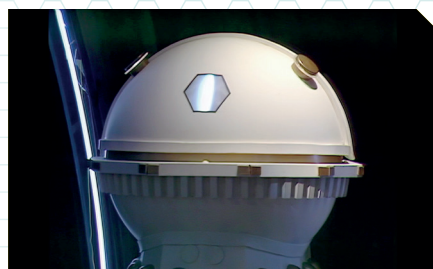
Mr Ratcliffe walks through a cemetery and stops at a new grave. There is an omega symbol on the headstone. He smiles. He finds a long, steel pole and forces it into the newly dug earth. When it hits something, it gives off a pulsating form of energy.

Onboard the Dalek mothership high above Earth, the energy is detected. A Dalek screeches, "It is the Hand of Omega! Inform the Emperor Dalek!"

Ratcliffe's men are soon digging up the Hand of Omega. The little girl who watched the Doctor at Coal Hill School arrives to observe them.

The Emperor Dalek arrives on the mothership's bridge. It has a large domed head. It orders the assault shuttle to be prepared. The Emperor is informed that Renegade Dalek agents are in the area.

Everyone reconvenes at Harry's café for lunch. The Doctor sits at a table, deep in thought. Gilmore expects advice from Rachel, but she is deeply frustrated by her lack of understanding of the alien technology they are facing. She angrily admits that the Doctor is their only hope now. The Doctor asks Gilmore to establish a base at the school. He and his men leave. The Doctor tells Ace that he is simply trying to keep Gilmore busy, leaving the Imperial and Renegade Daleks free to battle each other.



The Hand of Omega is brought into Ratcliffe's builders' yard. Ratcliffe informs the Renegade Dalek controller and then phones his spy, Mike Smith.

The Doctor describes the history of the Hand of Omega to Ace. "It was Omega who created the supernova that was the initial power source for Gallifreyan time-travel experiments," he explains. "The Hand of Omega is a mythical name for Omega's remote stellar manipulator." The Daleks can already travel in time but only in a "crude and nasty" manner. The Hand would allow them to perfect their time-travel abilities. Ace is surprised to hear that the Doctor wants the Daleks to have the Hand. He admits that he wasn't expecting two rival Dalek factions to arrive in London. He needs to make sure the wrong faction doesn't get it.

Allison grabs Ace's baseball bat and smashes it again and again into the creature, killing it. "What was that?!" a horrified Rachel asks. The Doctor notes that this Dalek is very different to the one that was destroyed in Totter's Lane.

Ace lies on the ground, injured. Rachel and Allison head down to the cellar while the Doctor applies some pressure to Ace's leg to heal it.

In the cellar, Rachel and Allison study the transmat pad and deduce its function. The Doctor enters, carrying Ace's baseball bat.



CHUNKY GILMORE

The Doctor refers to Gilmore as 'Group Captain Chunky Gilmore' in a scene in Part Three, and wonders why his men call him that. This piece of dialogue had its origins in the story's production, as actor Simon Williams revealed: "Ah, 'Chunky'! Well, the stage directions in Ben Aaronovitch's script kept describing Gilmore as 'whipping out his chunky service revolver' or 'shooting the Daleks with his chunky'. So, the cast would tell me to get out my chunky, show them my chunky or fire my chunky, and I became known as 'Chunky' in rehearsals. Then, unbeknownst to me, it leaked into the script and my character was renamed Captain 'Chunky' Gilmore. I think viewers must have imagined that Gilmore used to be a very fat man! But it's still quite a good name, isn't it?" Williams added, "I remember [director] Andrew Morgan calling me in post-production to re-voice a couple of scenes. 'Do you want to know why you're never going to play a straight action hero?' he said. 'Every time you fire that bloody revolver, you blink your eyes and wince!'"



IMMOBILISED

Andrew Morgan recalled the location filming for *Remembrance of the Daleks* in a 1999 interview: "We had chosen a cobbled location for Mr Ratcliffe's yard, and we were rather worried about the Daleks going over them. Stuart Brisdon, who was the special effects designer, said, 'Don't worry, I'll make you an all-terrain Dalek!' He used these big wheelbarrow wheels instead of castors, but when it came to shooting and the little man got inside his Dalek, there was no room for him to move his feet at all. It was a complete failure, and poor Stuart got very frustrated and had to put the castors back on and tracking boards down!"

Ratcliffe's men take the Hand of Omega off the truck and place it inside the building. They are promptly killed by the Renegade Daleks. Ratcliffe is horrified. "What have you done to those men?! They were on our side!" he yells at the Renegade controller. "You are a slave, Ratcliffe," the controller replies, turning around and removing its helmet. The face of the little girl from the cemetery is revealed. "You were born to serve the Daleks," she says. Daleks move into the room. The Black Dalek orders the activation of the Time Controller. The little girl goes to a desk and pulls out a large transparent sphere with strange energies dancing inside it. "Time Controller activated," she says. "Calculating coordinates."



The Renegade Daleks move into the street, observed by the Doctor and Ace. The pair sneak into Ratcliffe's yard and find the dead men and the Hand of Omega. The Doctor pats the casket and smiles. "You know what you've got to do, don't you?" he asks. A few tiny squeaking sounds come from within the casket in reply.

The Doctor and Ace enter Ratcliffe's office and find the chair the little girl was sitting in. The Doctor deduces that it is a battle computer designed for a human child. He

explains that the Daleks are too dependent on logic but they overcome this by taking young, imaginative humans and enslaving their creativity to their battle computers. The pair find the Time Controller. The Doctor puts his fingers around the sphere and switches it off, but explains that the Renegade Daleks will be able to fix it – he simply wants to slow them down. "I don't want to lumber Earth with a load of desperate Daleks," he says. He plucks a card out of mid-air and places it on the Time Controller. The pair hide as the Black Dalek, Ratcliffe and the little girl re-enter the office. The girl finds the disabled Time Controller and sees the card on it – it has the Doctor's signature. "Exterminate the Doctor! Crush all resistance!" the Black Dalek commands.

The Doctor and Ace meet Mike back at the school. Mike asks Ace out to the pictures when all this is over. Their romantic moment is interrupted by approaching Daleks. They retreat inside the school. "I don't get it," Mike says. "They've got the Hand of Omega. Why don't they just leave?" The Doctor asks him how he knew about the Hand. Mike hesitates. "Ace told me," he replies. Ace knows this is a lie. She approaches Mike, hurling insults at him. "He's selling us out to the Daleks!" she yells at Gilmore.

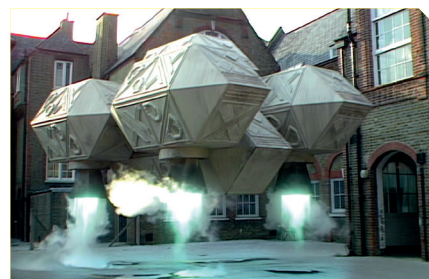
The Renegade Daleks clash with the soldiers at the school. When the Imperial Dalek shuttlecraft is detected entering Earth's atmosphere, the Renegades withdraw to protect the Hand of Omega.

Ace watches them leave from the window of the science room. "Wimps!" she yells.



Rachel enters with a report of a radar contact. The Doctor realises that it is the Imperial shuttlecraft approaching, just as he was hoping. Gilmore is alarmed. "What? They're not landing a spaceship here?" he asks. The Doctor assures him that the school is much too far away from the main action. Suddenly the room is filled with a roaring sound. Ace ducks for cover, narrowly avoiding being cut to pieces by glass as the windows are blown inward by a huge force.

Outside, the Dalek shuttlecraft lands in the playground of the school. "I think I might have miscalculated," the Doctor mutters...



QUATERMASS

Allison and Rachel's remarks in Harry's café: "I wish Bernard was here," and "British Rocket Group's got its own problems," were sly references to the three *Quatermass* series produced between 1953–58 by the BBC. They were science-fiction stories written by Nigel Kneale that featured the adventures of Professor Bernard Quatermass, the head of a scientific team known as the British Rocket Group. *Quatermass* dealt with alien intrusions on Earth. The TV series were hugely popular at the time and were a major influence on *Doctor Who*, in particular the Earthbound period of the series in the 70s starring the Third Doctor, Jon Pertwee.



BEHIND THE SCENES



THE SEVENTH DOCTOR VS THE DALEKS

The Seventh Doctor clashed with the Daleks, using his cunning to manipulate them in to destroying their own planet, Skaro.

REMEMBRANCE OF THE DALEKS

(TV) by **Ben Aaronovitch**

The Doctor and Ace arrive in London in November 1963. The Doctor has come to retrieve an ancient Time Lord device called the Hand of Omega. Two rival Daleks factions have followed him there, also seeking the Hand. The Doctor and Ace join forces with the British Army and trick the Daleks into using the Hand, with disastrous results.

THE GENOCIDE MACHINE ►

(audio) by **Mike Tucker**

The Doctor and Ace visit the fabled library of Kar-Charrat. A duplicate of Ace is made by the Daleks in order



Nemesis of the Daleks

to infiltrate the library. The Daleks are seeking its fluidic memory storage units, unaware that they are composed of sentient water creatures.

ENEMY OF THE DALEKS

(audio) by **David Bishop**

The Doctor, Ace and Hex come to Bliss, a supposed paradise planet. It is now over-run by ironweed plants and the air is filled with the smell of static electricity.

The Daleks soon arrive, searching for a lost patrol of starship troopers.

DALEKS AMONG US ▼

(audio) by **Alan Barnes**

The Doctor, former Nazi doctor Elizabeth Klein and UNIT officer Will Arrowsmith land on Azimuth, a world where the word 'Dalek' is forbidden. The Daleks and Davros are trying to gain control of the mysterious Persuasion Machine.



Emperor of the Daleks!

WE ARE THE DALEKS

(audio) by **Jonathan Morris**

The Doctor and Mel arrive in 1987 Britain. It is deeply divided as strikers clash with the police, stockbrokers in the city drink champagne and politicians pander to the elite. The Doctor investigates a new computer game called *Warfleet* and discovers that the Daleks intend to conquer the universe using economic power.

RETURN OF THE DALEKS

(audio) by **Nicholas Briggs**

The Doctor lands on the planet Zaleria, once known as Spiridon. Its people are under Dalek occupation with Ogrons in use as the police force. The famous Dalek-fighters Kalendorf and Susan Mendez are also there. Mendez learns that there is a Dalek army lying frozen underground.

THE FOUR DOCTORS

(audio) by **Peter Anghelides**

The Fifth, Sixth, Seventh and Eighth incarnations of the Doctor join forces when the Daleks invade the Jariden's Vault of Stellar Curios.

A GENIUS FOR WAR

(audio) by **Jonathan Morris**

In the middle of the Time War, the Time Lords receive a communication from Falkus, the prison moon of Skaro. Davros offers them a way to win the war against the Daleks, but only if the Doctor comes to his rescue.

SCREAM OF THE DALEKS

(audio) by **Lisa McMullin**

The Doctor, Harry Sullivan and Naomi Cross find themselves in Chester, 1969, at Halloween. They learn that people have been dying on the same spot on this day for millennia. The Doctor discovers a crack in space-time with a Dalek on the other side.

NEMESIS OF THE DALEKS ◀

(comic) by **Richard Alan, Steve Alan and Lee Sullivan**

The Doctor lands on the planet Hell and joins forces with the notorious Daleks' killer Abslom Daak. They are helped by the native Helkans. They travel to the Dalek's orbiting Death Wheel. Daak sacrifices his life to destroy it.

EMPEROR OF THE DALEKS!

(comic) by **Paul Cornell and Lee Sullivan**

The Doctor and Bernice Summerfield return to Hell and meet Abslom Daak's crew. Daak is saved by the Emperor Dalek who uses a time scoop. The Emperor Dalek clashes with Davros on Spiridon.



Daleks Among Us

TIME & TIME AGAIN

(comic) by **Paul Cornell and John Ridgway**

The Doctor's history is altered by the Black Guardian. The First Doctor comes under threat from a Dalek in London, 1963, but the Seventh Doctor pushes it into the path of a bus, destroying it.

METAMORPHOSIS

(comic) by **Paul Cornell and Lee Sullivan**

The Doctor and Ace board the bio-freighter *Mitre*. It contains thousands of human embryos. The Daleks invade the ship, planning to turn the embryos into Dalek mutants.



The Genocide Machine



Metamorphosis

MID SECTION

DALEK MUTANT CONTROL CENTRE

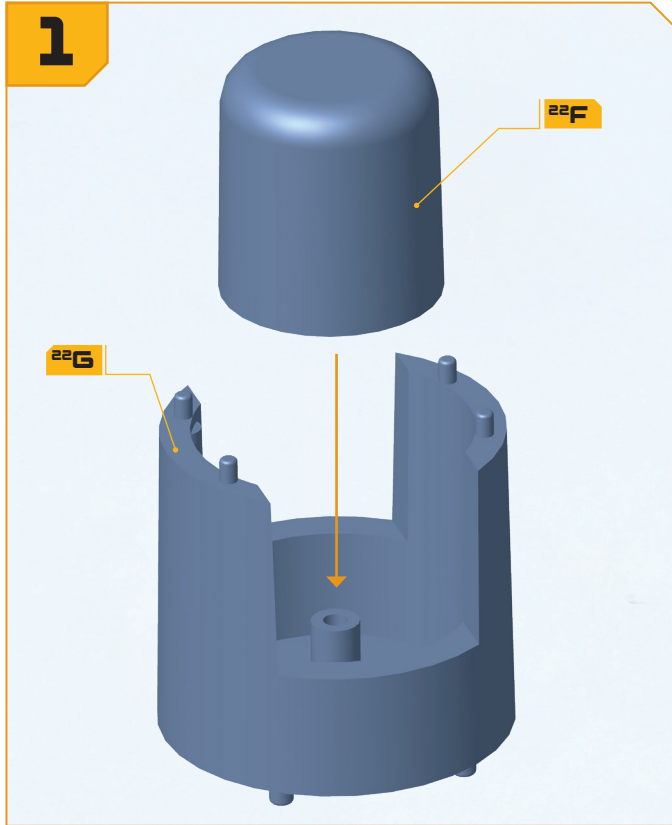


COMPONENTS OF ISSUE 22

- 22A** CONTAINER
- 22B** CONTAINER
- 22C** PIPE CONNECTOR
- 22D** PIPE CONNECTOR

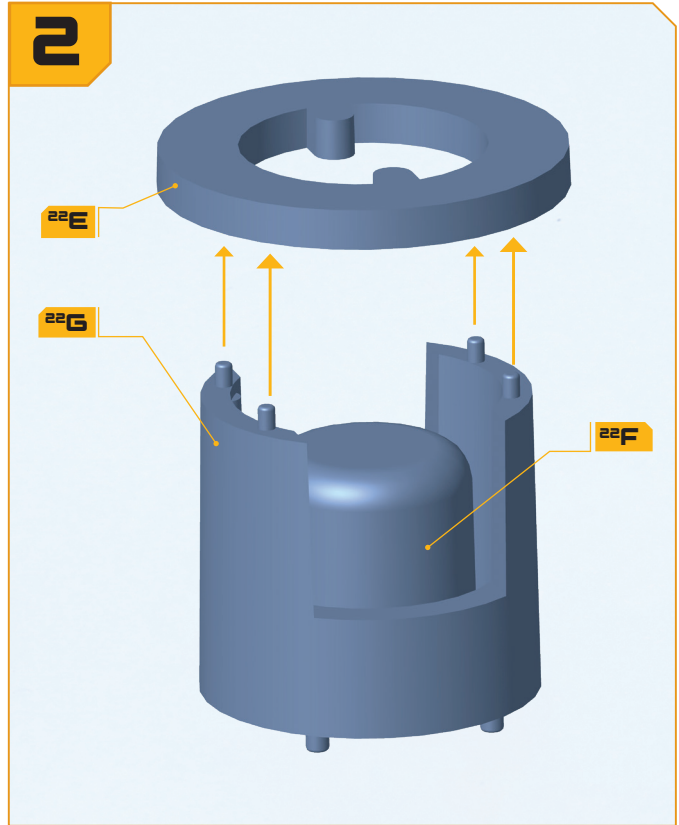
- 22E** CYLINDRICAL ATTACHMENT (TOP)
- 22F** CYLINDRICAL ATTACHMENT (INTERIOR)
-

- 22G** CYLINDRICAL ATTACHMENT (BASE)
- AP** THREE 2.3 X 4MM PB SCREWS (1 SPARE)
-



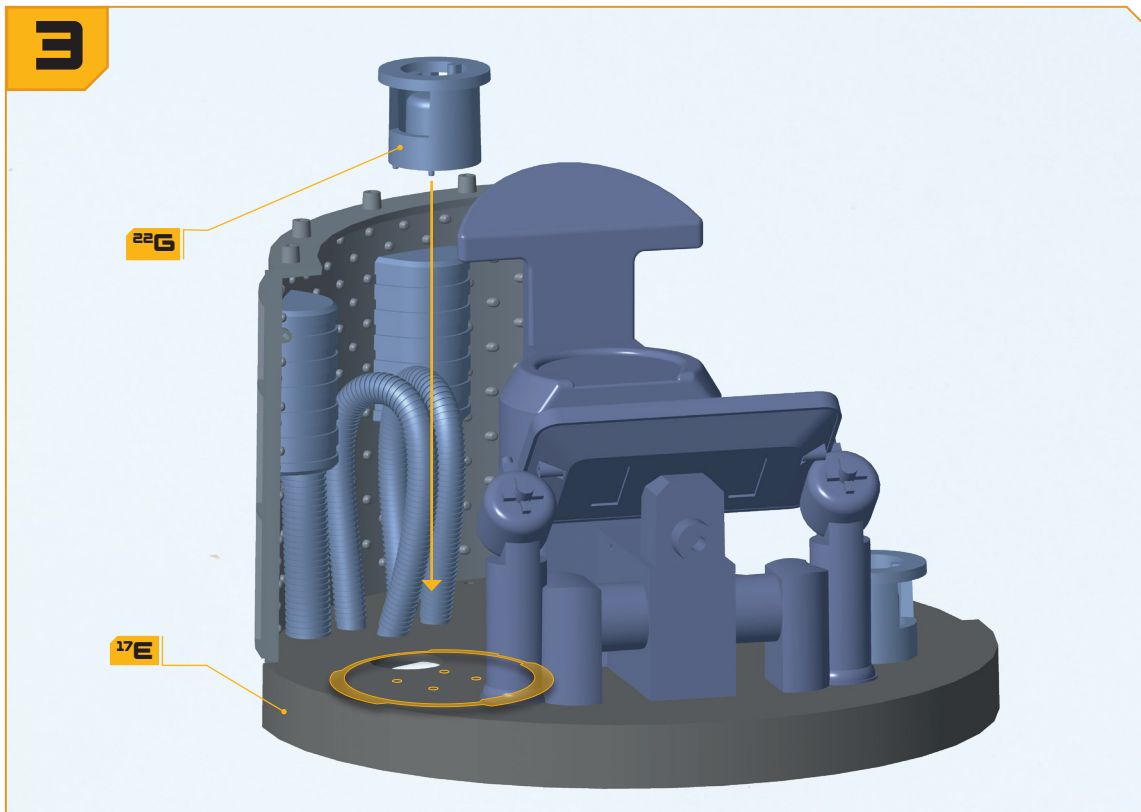
#022-01

Take the interior **22F** and base **22G** of the cylindrical attachment. Fit the interior centrally on the base. This is a push-fit connection.



#022-02

Fit the top **22E** on to the base: four pegs on the top of part **22G** fit into sockets in part **22E**. To ensure the correct orientation, the spacing of the pegs is different on each side. This is a push-fit connection.

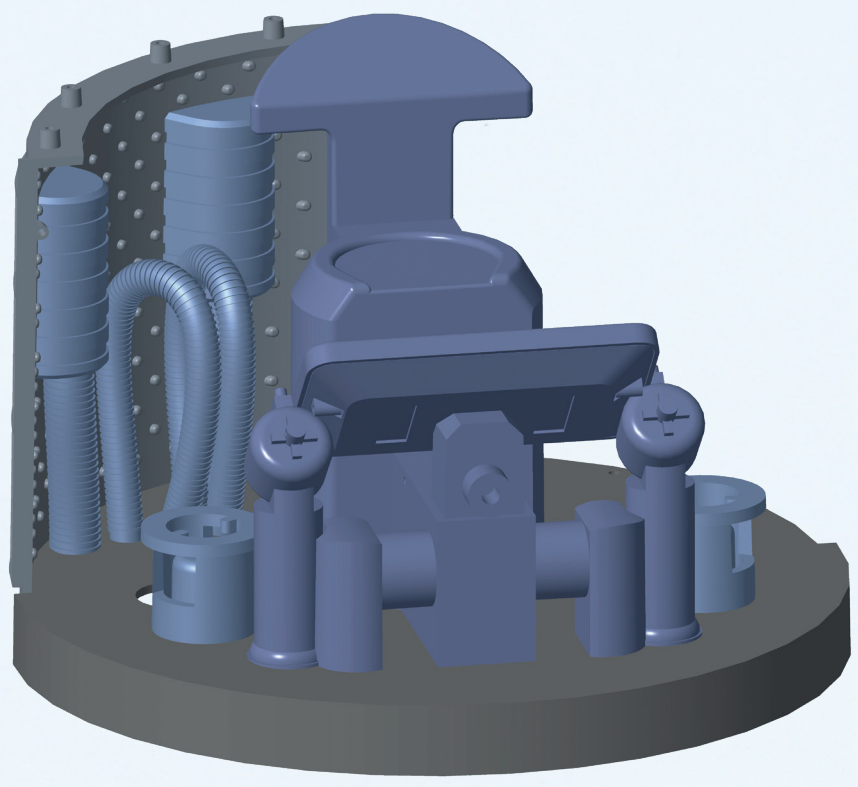


#022-03

Fit the cylindrical attachment **22E/22F/22G** on to the base **17E**. Four small pegs on the base of part **22G** fit into holes highlighted in yellow (circled). The holes are unevenly spaced so that the attachment is fitted in the correct orientation. This is a push-fit connection.

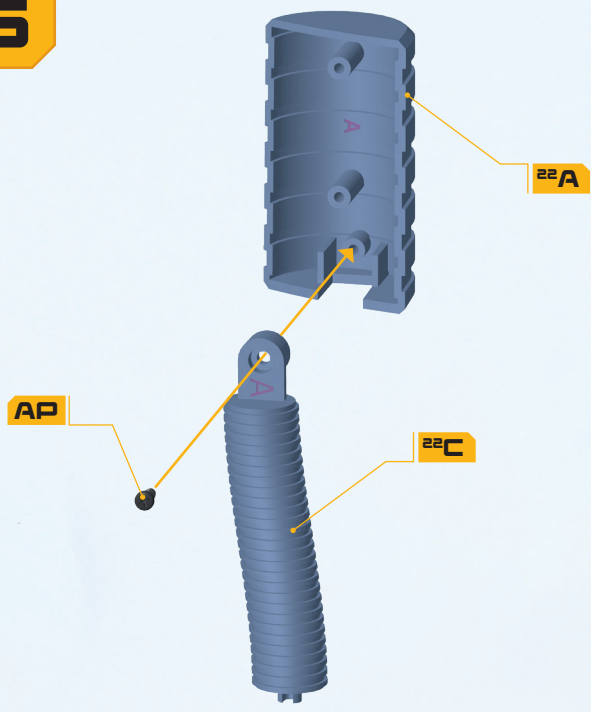


4



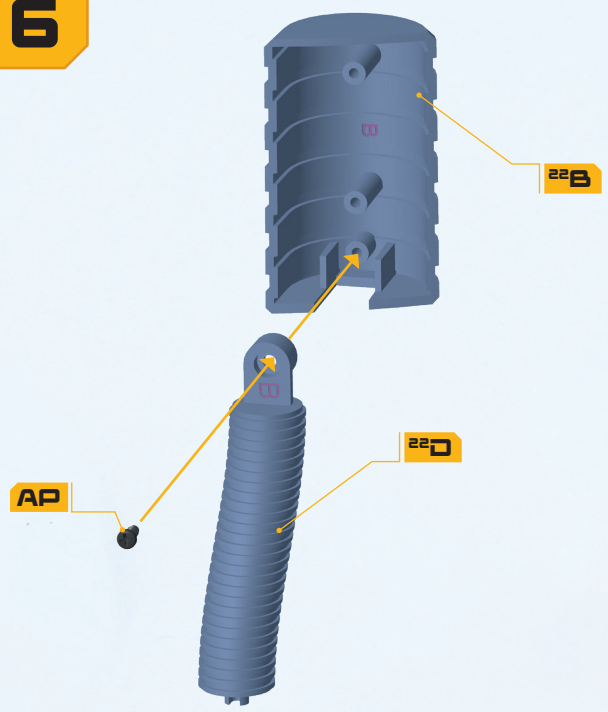
#022-04
This diagram shows the second cylindrical attachment in position.

5



#022-05
Take the container **22A** (marked **A** on the inside) and the pipework **22C**. Note the angle of the bend in the pipework in part **22C**, which is different from part **22D**. Fit the tab on the top of part **22C** into the recess in the base of part **22A**. Fix in place with an **AP** screw.

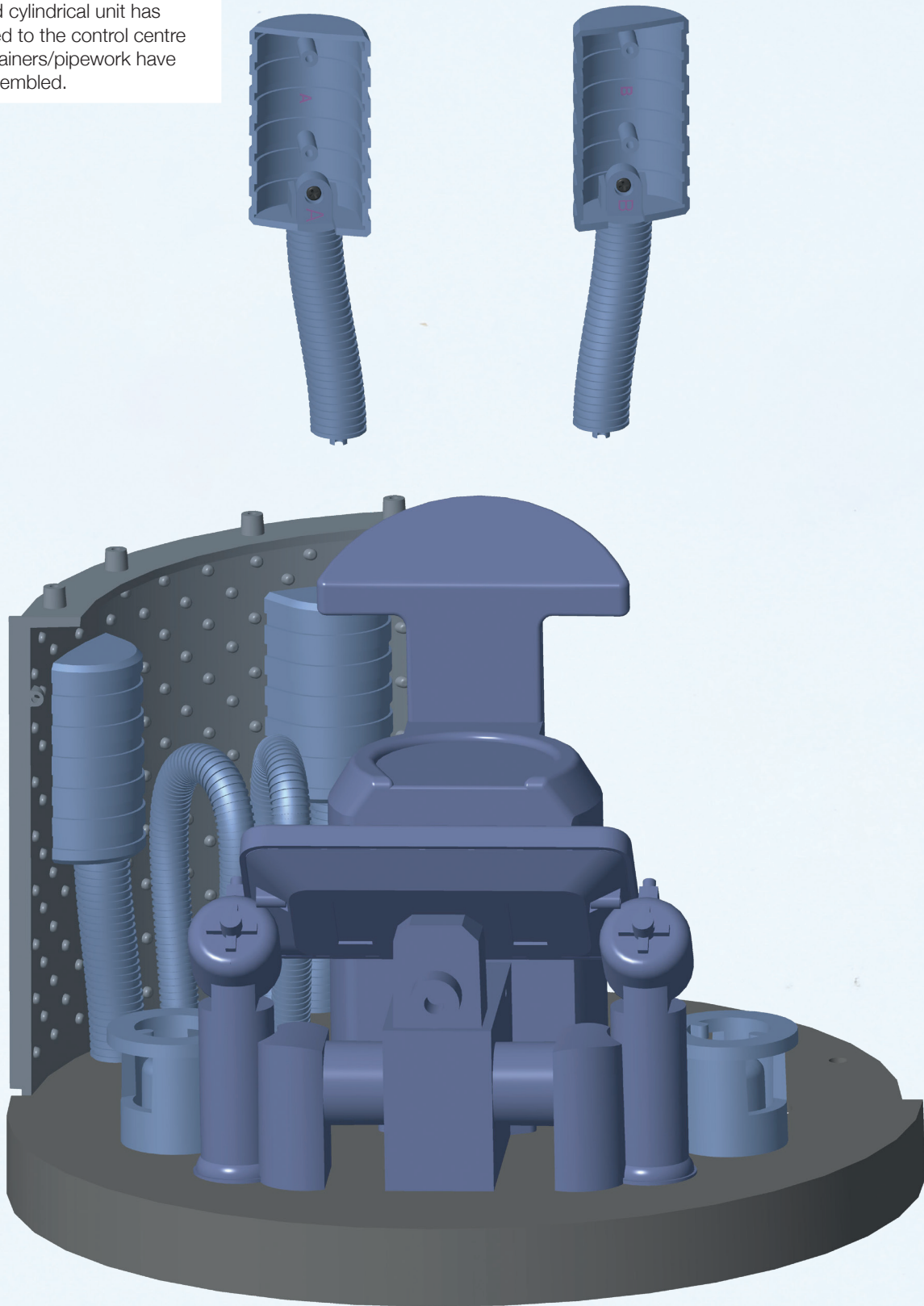
6



#022-06
Take the second container **22B** (marked **B** inside) and the pipework **22D**. Check the fit and fix together with an **AP** screw.

#22-COMPLETED WORK

A second cylindrical unit has been fitted to the control centre and containers/pipework have been assembled.



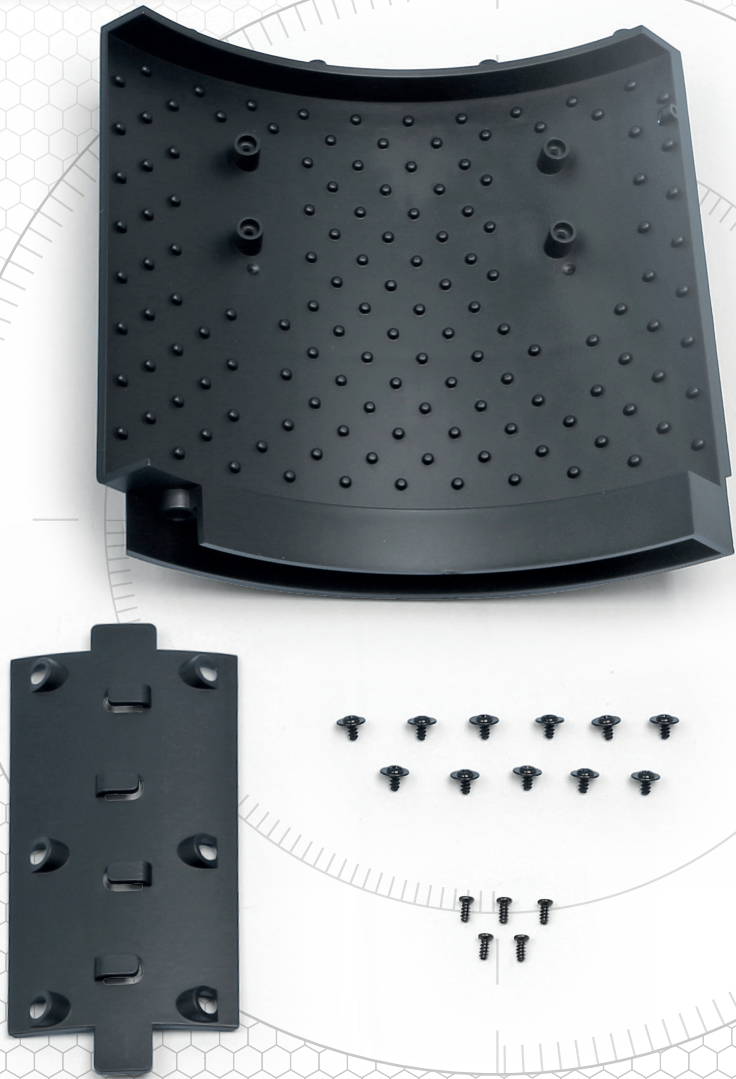
THE DALEK



COMING IN
ISSUE 23

BUILD PART 23

An additional neck wall connector and neck wall piece with 16 fixing screws to continue building around the neck area of the model.



THE TIME VORTEX



The Daleks have attempted to conquer the Earth many times.

ADVENTURES IN TIME AND SPACE



The Doctor must stop Davros in *Genesis of the Daleks* – Part 5.

Every week at your newsagent! Visit hachettepartworks.com/Dalek