

# THE DALEK

**BUILD  
THE ICONIC  
BBC**



**MONSTER**



**THE INSANE  
GENIUS - DAVROS!**



**STEP-BY-STEP  
INSTRUCTIONS!**

Published  
weekly • £11.99  
AUS • \$23.99

26 >



9 772977 557054

# DALEK

## ISSUE 26



### ADVENTURES IN TIME AND SPACE: THE AMBUSH

3

The Doctor and his companions attempt to save the Thals.



### ANATOMY OF A DALEK: GENESIS DALEK

6

Discover the capabilities of Davros' earliest Dalek creations.



### STEP-BY-STEP BUILD: PART 26

8

Cable wires, a connection cap, integrator and fixing screws.

## Reader Services

CUSTOMER SERVICE IN THE UK  
AND REPUBLIC OF IRELAND

### How to continue your collection:

Subscribe online at [hachettepartworks.com/Dalek](http://hachettepartworks.com/Dalek) or contact the Customer Service team via [hachettepartworks.com/contact](http://hachettepartworks.com/contact)

### Customer service & back orders:

Please visit [hachettepartworks.com/contact](http://hachettepartworks.com/contact) to get in touch.

UK call 0345 155 9277

ROI call (01) 9079762

(Calls are charged at your local rate from a landline)

Published by Hachette Partworks Ltd  
4th Floor, Jordan House, 47 Brunswick Place, London N1 6EB

General Manager – Isabelle Couderc  
Editorial Director – Helen Nally  
Marketing Director – Elise Windmill  
Production Director – Sema Sant Anna  
Managing Editor – Sarah Gale  
Distribution Manager – Paul Smith  
Product Manager – Rhys Myner

Packaged by Panini Publishing, a division of Panini UK Limited.

Publishing Director Europe – Marco M. Lupoi  
Managing Director – Chris Clover  
Managing Editor – Alan O'Keefe  
Senior Editor – Ed Hammond  
Editor – John Ainsworth  
Designer – Barry Spiers  
Features Writer – Stuart Ashley

Dalek Image (p6) – Gavin Rymil

Distributed in the UK and Republic of Ireland by Marketforce.

© 2025 Hachette Partworks Ltd

Printed in the UK.

ISSN 2977-5574

ALL RIGHTS RESERVED

The editor's policy is to use papers that are natural, renewable and recyclable products and made from wood grown in sustainable forests. The logging and manufacturing processes are expected to conform to the environmental regulations of the country of origin.

In the event of a significant increase in production and transport costs, the publisher reserves the right to modify its selling prices.

BBC, DOCTOR WHO, TARDIS and DALEK (word marks and devices) are trade marks of the British Broadcasting Corporation and are used under licence. BBC logo © BBC 1996. DOCTOR WHO logo © BBC 1973. Dalek image © BBC/Terry Nation 1963. Licensed by BBC Studios.

The device complies with Part 15 of the FCC Rules. Operation is subject to the following two conditions: (1) this device may not cause harmful interference, and (2) this device must accept any interference received, including interference that may cause undesired operation.

All parts belong to a kit. NOT SUITABLE FOR CHILDREN UNDER THE AGE OF 14. This product is not a toy and is not intended for use in play. Follow the instructions in the enclosed magazines carefully and keep the appropriate information in a safe place. The installation of the electrical and electronic parts must always be carried out by an adult. Requires batteries.

BBC

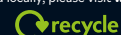


For our environmental policy in full please scan the QR code here.

 **hachette**  
PARTWORKS LTD

### WHAT TO DO WITH YOUR PACKAGING?

Our packaging papers and boxes are 100% recyclable kerbside. Plastic blisters can also be 100% recyclable kerbside once separated from the cardboard. To find out what you can recycle at home and locally, please visit [www.recyclenow.com](http://www.recyclenow.com)



# THE AMBUSH

**The Doctor and his companions devise a plan to break out of their prison cell.**

**Season 1 Episode 8**  
**First Broadcast: 11 January 1964**

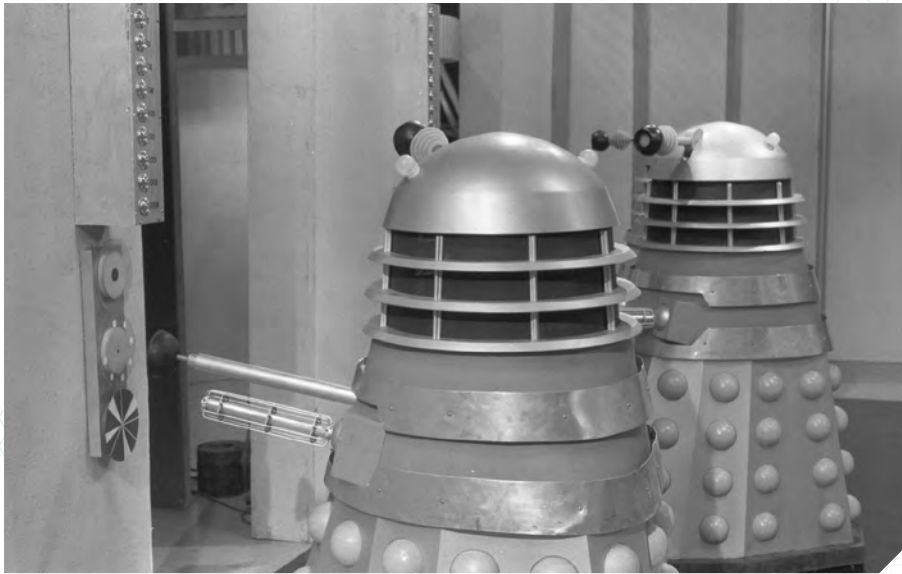
Ian climbs into the Dalek casing. The Doctor, Barbara and Susan pretend to be under Ian's guard as they move down the corridor. The time travellers approach a lift but are challenged by a real Dalek standing guard. Ian claims that the Dalek Council have summoned the prisoners. The guard moves to a communications console to check but is interrupted by Susan who pretends to flee. Ian 'captures' her and asks the guard to help him get the captives into the lift antechamber. The pretence works.



Once the chamber door closes, the Doctor disables the opening controls. "Help me get out of this thing, I'm suffocating!" Ian says. They try to help him out of the Dalek casing but the internal mechanism has jammed. Ian is trapped inside.

Outside, the Dalek guard learns that there have been no orders to move the prisoners. Unable to open the door, it sounds the alarm. More Daleks arrive and begin to burn through the door with a laser torch.

The Doctor realises that the Daleks have magnetised the floor, preventing them from moving Ian while he is inside the Dalek. They have no choice but to leave Ian behind and hope he can escape before the Daleks burn



completely through the chamber door. The Doctor, Susan and Barbara ascend in the lift. They reach the top and send the lift back down. Ian struggles to free himself from the casing. Moments later, the Daleks burn through the door and fire on the rogue Dalek but it is now empty. Ian manages to get to the top in the lift and is reunited with his friends.



The travellers peer through a window and see the edge of the petrified jungle. Barbara looks down and sees a man moving at street level. Susan realises that it must be the Thals coming for the food supplies that the Daleks offered. "They're walking into an ambush!" the Doctor says.

A Dalek enters the lift with orders to exterminate the travellers. The Doctor and the others are too busy trying to signal the Thals to notice the ascending lift. Unable to make themselves seen or heard to the Thals, the Doctor and Ian try to force open a door but it has also been magnetised. Barbara sees that the lift is returning. Ian, Barbara and Susan push a heavy sculpture down the lift shaft, destroying the lift and the Dalek. The Doctor gets the door open and the travellers escape.



At ground level, a group of Thals cautiously approach the Daleks' main meeting hall. Alydon leads the way. Temmosus tells him that he is being far too suspicious of the Daleks. "Perhaps their offer was coldly worded, but friendship grows with time. These Daleks must have believed that they were the only survivors on this planet," Temmosus says. "And are they relieved to find they aren't?" Alydon asks, "Or are they shocked and horrified, perhaps insanely jealous?" Alydon says his instincts are warning him of danger.

Inside the hall, food has been laid out on a table. The Daleks note that the Thals are near, and withdraw into darkened hiding places.



## LOST LINES

Ian's conversation with Alydon and Dyoni was longer in the original script. After explaining why the Daleks would always hate the Thals, Ian makes a dismissive reference to the historical records of the Thals. An annoyed Dyoni describes him as "a very abrupt and ill-tempered man," adding, "We're proud of our past." Ian retorts, "And what's the good of a past if there's no future? You can't just sit around and let things happen to you." Alydon explains the Thals' reasons for their pacifism: "If you went full circle around Skaro from this exact point and back to it, you'd see traces of war. It destroyed Skaro and we swore we'd never fight again."



## BEING SUSAN



Carole Ann Ford was 22 and already married with a three-year-old daughter when she was cast as Susan. "Miranda did used to watch it but she'd get terrified if anything was happening to me as Susan," she recalled in 2015. "She was having nightmares and things. I couldn't stop her watching it because she knew it was on, so I thought, 'I'll ask if I can take her to the studio to

see a Dalek – if she plays around and has fun with it and sees they're not scary, then she'll be okay.' So, she had a lovely time, everyone made a big fuss of her and... next time she watched it, exactly the same. She was just as scared. It didn't help at all."



The travellers race down a series of corridors and reach the ground level. Ian can see no Daleks on guard. The Doctor wishes to return to the TARDIS immediately but the others want to warn the Thals. Ian suggests that the other three go back to the ship while he stays to help the Thals. The Doctor wishes him good luck.

The Thals enter the hall and see the food. Temmosus calls to the Daleks but gets no answer. Ian cries out a warning but is too late. Temmosus is the first to be cut down by the Daleks' deadly energy beams. Ian ducks around a corner, narrowly avoiding another blast. The Thals run for their lives. Ian and Alydon meet and race into the jungle together.



Some time later, the travellers have been made welcome by the Thals in the jungle. The Doctor talks to Dyonis about the Thal history records and the star maps that were made by their ancestors. Alydon knows that, with Temmosus' death, he is now the leader of their tribe. He doesn't understand why the Daleks reacted with lethal force. Ian suggests that they have "a dislike for the unlike. They're afraid of you because you're different from them." Dyonis realises that Ian believes that the Thals should fight the Daleks. Alydon says that is out of the question. Ian and Barbara wonder if the Thals are strict pacifists or if their opposition to fighting is some kind of generational instinct. They learn from the Doctor that the Thals were originally warriors.

The time travellers head back to the TARDIS, preparing to leave Skaro. However, Ian suddenly realises that he no longer has the crucial fluid link that he took from the Doctor. "The Daleks took it from me when they searched me," he says in horror. "It's down there somewhere in the city..."



## WILLIAM RUSSELL

William Russell was an established TV star before he came to work on *Doctor Who*, having played the title role in *The Adventures of Sir Lancelot*. Verity Lambert considered him the perfect choice to play Ian Chesterton. "I met Verity and she asked me if I would be interested. It sounded such an exciting and very interesting idea," Russell said. "I liked Verity very much when I met her. We discussed Ian, he was the sort of 'action man' as far as Verity was concerned. Because Bill [Hartnell] was going to play the mysterious Doctor Who, he would need an action man to dash about." William Russell was impressed by the show's star. "Billy was marvellous, he had all the switches in the TARDIS marked out exactly in his mind. He had the idea of the Doctor always getting my name wrong. Billy wasn't at all like the Doctor off-set, he was just a very professional actor who just did his job in his own way." Russell was considerably less impressed by the Daleks at first: "We didn't think the Daleks would work at all because our first sight of one was without its top with an actor sitting in it, pushing it around on castors. And they had a lavatory plunger as their deadly weapon – it seemed absolutely ludicrous. But we weren't taking into consideration the voice – Peter Hawkins did that marvellous voice for them – and the absolutely wonderful Radiophonic [Workshop] music. When you put it all together, you did get something that was rather scary. My kids used to watch from behind the sofa, then disappear when the Daleks came on, so we know it worked, don't we?"



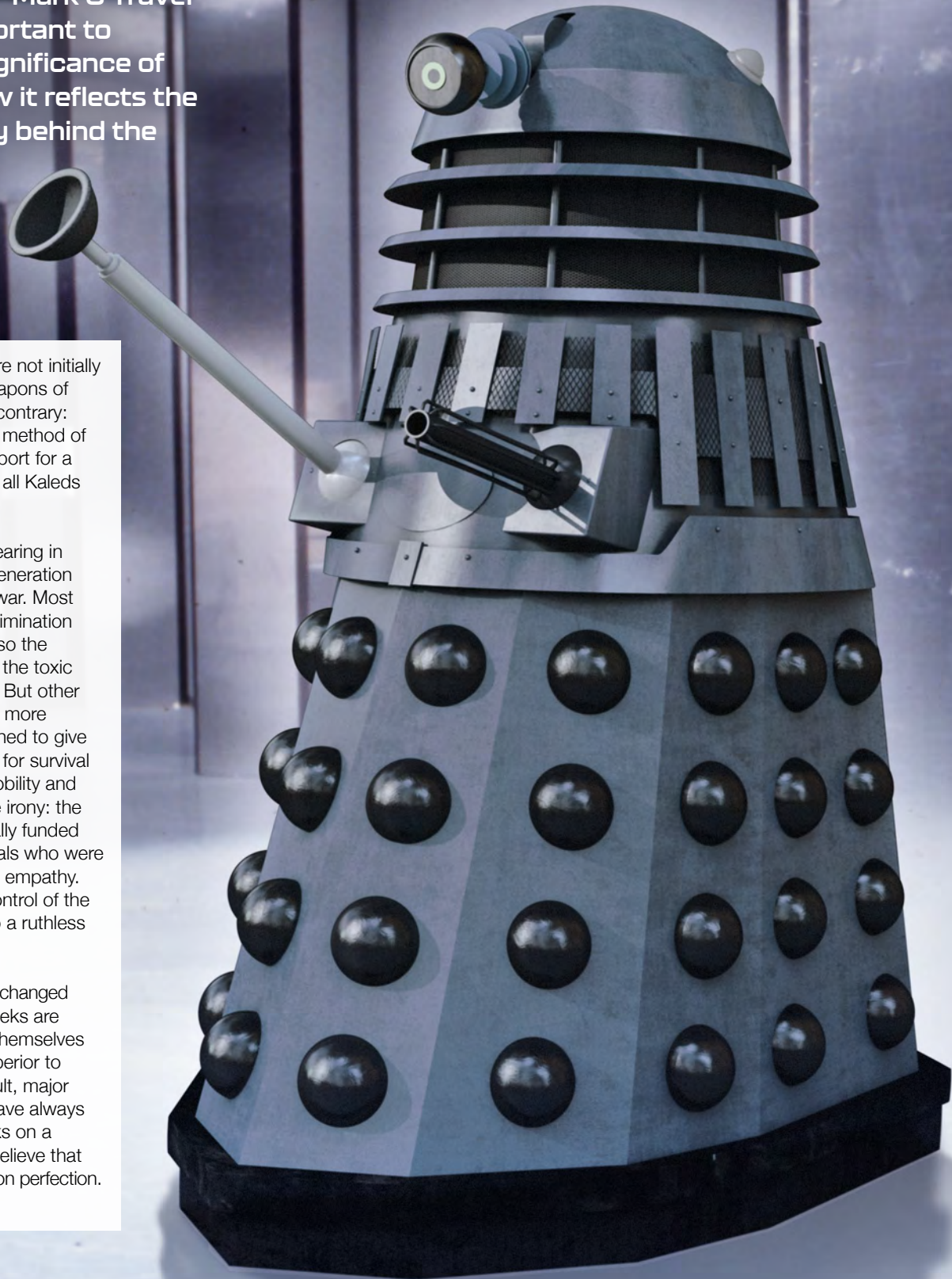
# GENESIS DALEK

The earliest form of Dalek was also known as the 'Mark 3 Travel Machine'. It is important to understand the significance of that term, and how it reflects the original philosophy behind the Daleks' creation.

**T**he Dalek shells were not initially designed to be weapons of warfare. Quite the contrary: they were planned to be a method of transportation and life support for a frail, helpless creature that all Kaleds would one day become.

More mutations were appearing in Kaled society with every generation of Skaro's thousand-year war. Most officials felt that strict discrimination was the only answer, and so the 'Mutos' were cast out into the toxic wastelands and left to die. But other Kaleds sought to find a far more humane solution; they wished to give mutants every opportunity for survival by supplying them with mobility and comfort. This is the terrible irony: the 'Dalek Project' was originally funded and supported by individuals who were driven by compassion and empathy. It was Davros who took control of the concept and twisted it into a ruthless killing machine.

The initial Dalek design has changed little over the millennia. Daleks are programmed to consider themselves perfect beings that are superior to all other species. As a result, major alterations to the design have always been resisted by the Daleks on a subconscious level; they believe that there is no way to improve on perfection.



**1**

The first generation of Daleks were very primitive in comparison to the ones that would follow but, thanks to the genius of Davros, they were a masterpiece of design and functionality [1].

The outer casing of the initial Daleks was composed of a hyper-dense alloy that came to be known as Dalekanium. It was ten times stronger than steel, but had only a quarter of the weight of aluminium. The casing was capable of withstanding temperatures of up to 2,000 degrees Celsius. The Daleks' armour could survive concentrated fire from high-calibre ballistic weapons, but heavy projectile weapons such as bazooka and tank shells were able to penetrate it at close range. There were no force-field emitters at this stage.

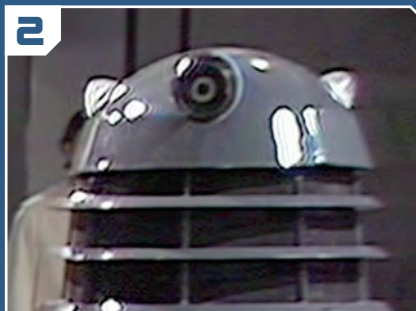
The Dalek armour could protect the mutant inside from most environmental hazards. However, radiation shielding was never a major factor of the armour's design. Davros made sure that the mutants had been genetically bred to absorb and even feed off most forms of radiation. Likewise, the toxic gases and fluids that covered Skaro's wastelands were no threat to the Daleks, and some were even a source of nutrition for them.

The central motion unit of a Dalek was a large sphere in the centre of its base, surrounded by several smaller spheres. These enabled the Dalek to shift its direction quickly. It could travel at speeds of up to 30 mph on a flat surface.

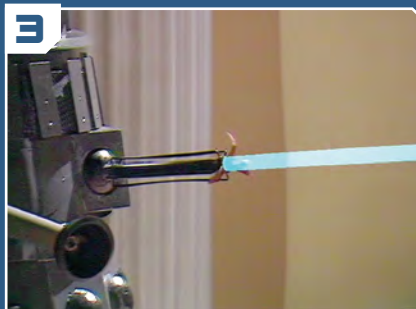
The early Daleks were not capable of flight. However, they could hover at least a foot above the ground, allowing them to climb stairs and traverse rough terrain such as the rocky ground between the

Kaled and Thal domes. The base of the Dalek armour projected a cushion of compressed air similar to a hovercraft's. A sophisticated sonic baffle system meant that, even while in hover mode, the Daleks could operate in near-total silence for strategic purposes.

The dome of the Dalek could rotate 360 degrees, but at this point its waist section could not. The eye was a wide-angle lens that transmitted images directly to the brain of the Dalek mutant [2]. It is one of the few exterior details of a Dalek that was not composed of Dalekanium, and was the most vulnerable part of the Dalek casing.

**2**

The gun stick was capable of firing a high intensity energy beam which projected a lethal dose of ionic radiation at its target [3]. At this stage there was no stun or paralysis setting; Davros saw no need for the Daleks to take prisoners. The gun stick was connected to a ball and socket unit inside the armour which provided it with its power. It was possible to remove the gun stick and its power unit from the Dalek and use it as an independent weapon.



The manipulator arm appeared to be a sucker-like device, but was actually a sophisticated mechanism filled with electronic nerve endings [4]. These allowed the Dalek to interface with computer networks. The 'plunger' could also generate a vacuum, enabling it to adhere itself to any surface. The Dalek's telescopic arm was extremely strong,

**4**

allowing them to lift enormous weights.

The circular mesh below the dome was composed of thousands of sensors that processed atmospheric radiation and monitored radiation levels. The vertical slats below the mesh were solar panels that collected energy from Skaro's sun. At some stage the Daleks dispensed with the panels and instead used static electricity as their chief power source, which confined them to their city [5]. Once they began to venture out into the universe, the solar panels were reinstated. The spheres that line the lower half of the casing were sophisticated sensors that scanned the Daleks' surroundings.

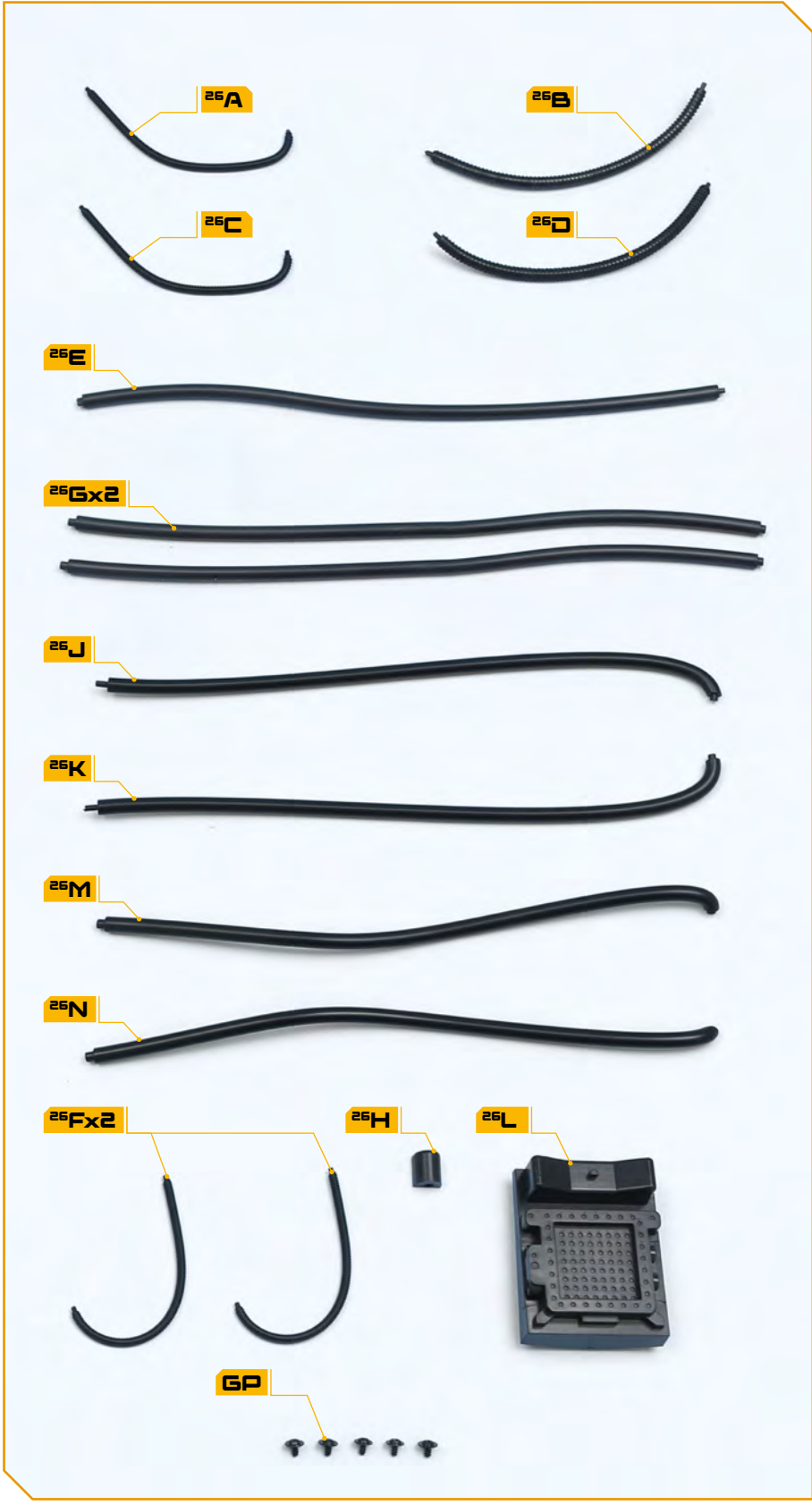
The main function of the interior systems was to protect the Dalek mutant. Davros installed a cryogenic survival unit with an independent power system. If the Dalek was trapped in an environment from which it could not escape, the survival unit was activated. The Dalek mutant was enveloped in cryogenic gases that placed it in a state of suspended animation. The Daleks could exist in this condition for centuries and be revived with no ill-effects.

The early Daleks were all fitted with an auto-destruct system. If a Dalek were to be compromised in some way, such as be captured, it had the ability to destroy itself using its own power core as an explosive device.

**5**

# MID SECTION

## DALEK MUTANT CONTROL CENTRE



### COMPONENTS OF ISSUE 26

- 26A** CABLE CONNECTION 1
- 26B** CABLE CONNECTION 2
- 26C** CABLE CONNECTION 3
- 26D** CABLE CONNECTION 4
- 26E** CABLE CONNECTION 5
- 26F** CABLE CONNECTION 6 (X 2)
- 26G** CABLE CONNECTION 7 (X 2)
- 26H** CAP FOR WIRES
- 26J** CABLE CONNECTION 8
- 26K** CABLE CONNECTION 9
- 26L** INTEGRATOR
- 26M** CABLE CONNECTION 10
- 26N** CABLE CONNECTION 11
- GP** FIVE 2.3 X 4MM PWB SCREWS (1 SPARE)

—

—

—

—

—

—

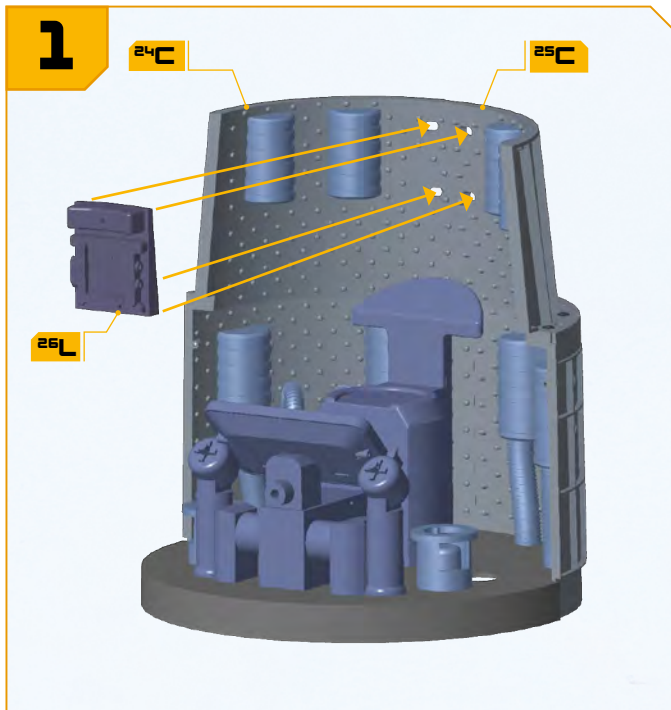
—

—

—

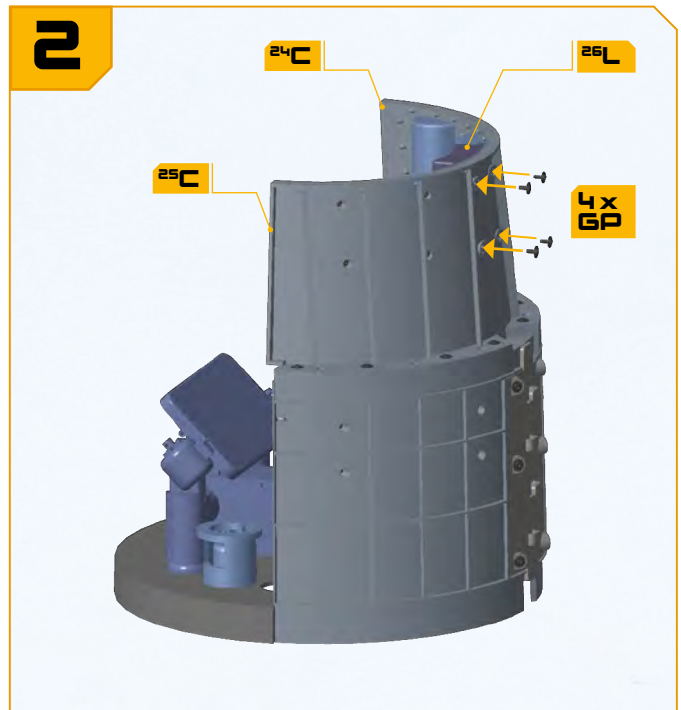
—





### #026-01

Take the integrator **26L** and the assembly from the previous issue. Four raised screw sockets on part **26L** fit into screw holes in parts **24C** and **25C**. Fit part **26L** in place.



### #026-02

Fix part **26L** in place with four **GP** screws, as indicated.

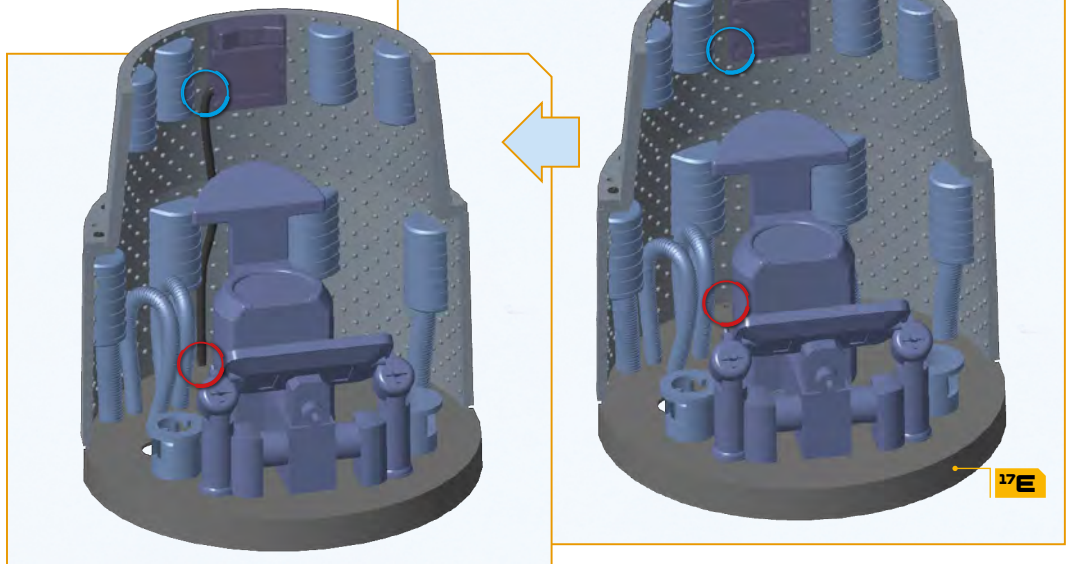
### Technique Tip



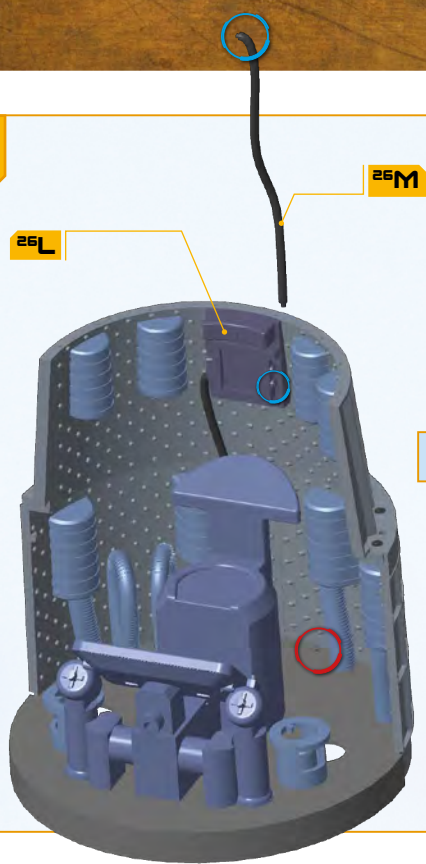
You may find it easier to fit the cable connections in the following steps if you remove the support for backrest **18C**, fitted in issue **18**, as shown here. Once the connections have been fitted, re-fit part **18C**.

### #026-03

Take the cable connection **26N** and fit it in place as indicated: first, fit the peg on the lower end of part **26N** into a hole in the floor **17E** (red circles); a D-shaped peg on the curved end of part **26N** fits into a corresponding hole in part **26L** (blue circles). Note that the curved face of the D-shaped peg faces outwards. Bend the cable slightly to help fit it in place.

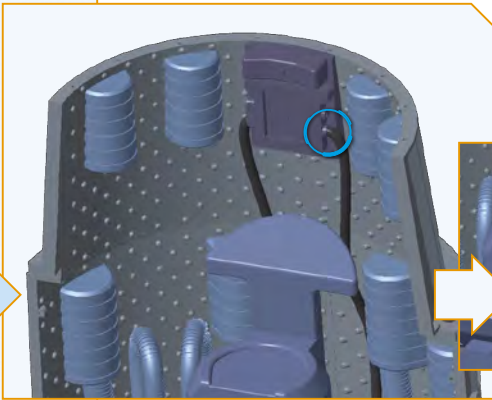


4



#026-04

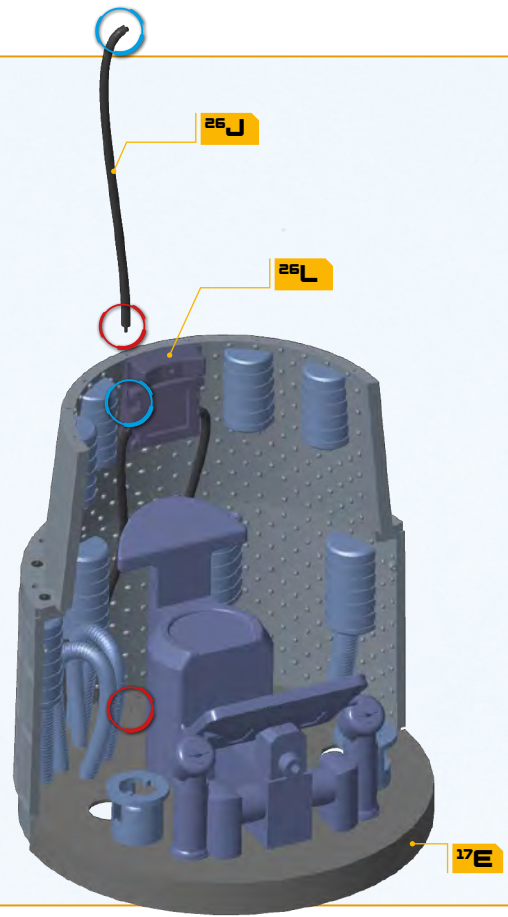
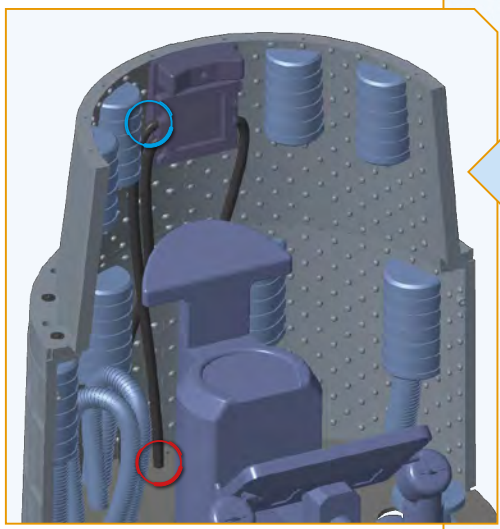
Similarly, fit cable connection 26M on the other side of part 26L.



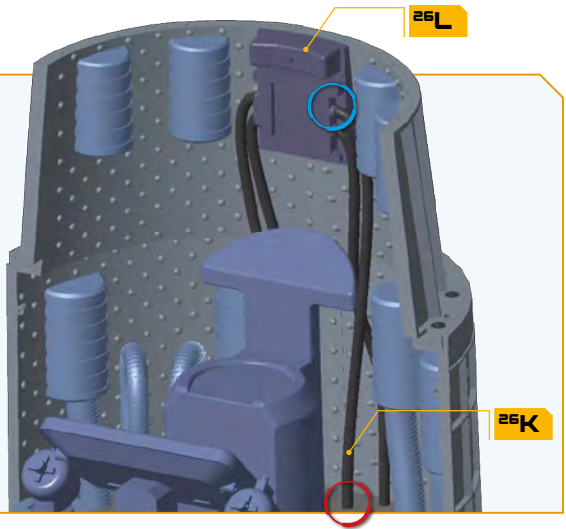
5

#026-05

Cable connection 26J runs from the upper hole in part 26L to the floor 17E. Again, fit the lower end of the cable connection first, and then fit the D-shaped peg on the curved end of part 26J into the upper hole in part 26L with the curved face of the peg facing outwards. Again, bend the cable slightly to help fix it in place.



6



#026-06

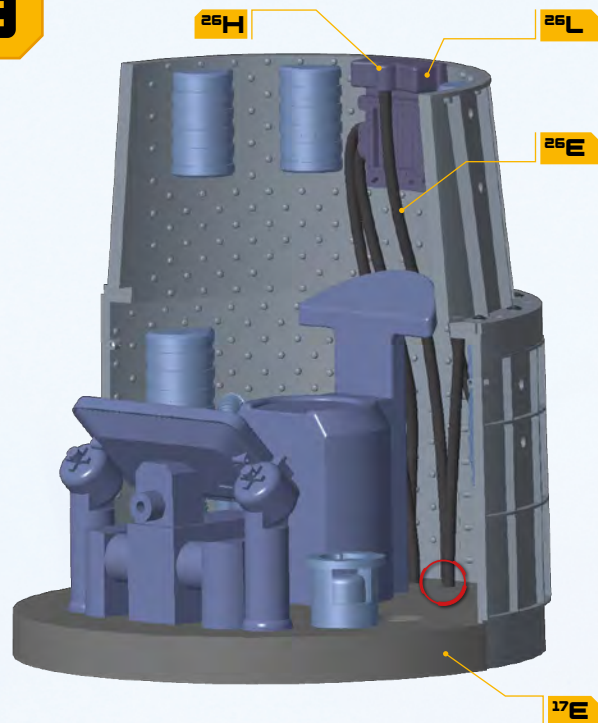
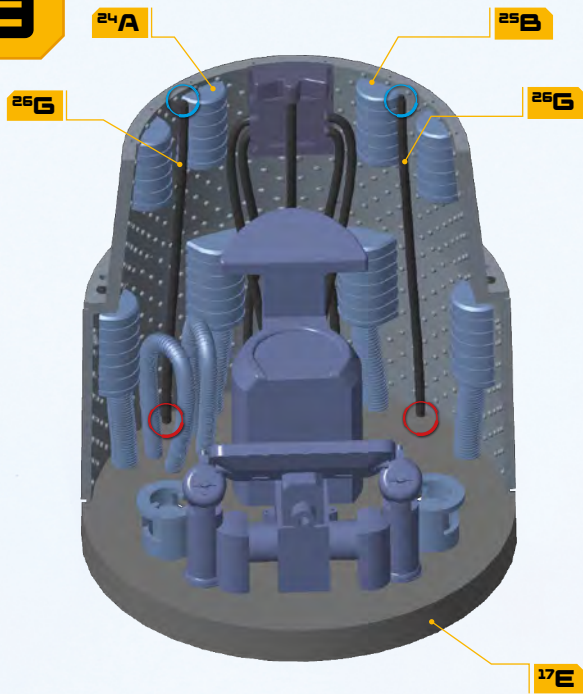
Similarly, connection pipe 26K runs from the other side of the integrator 26L to the floor 17E.

**7****#026-07**

Fit the cap **26H** on to the end of cable connection **26E**. Note that the peg on the upper end of part **26E** and fits into a corresponding hole in the cap.

**#026-08**

Fit the hole on the back of part **26H** over the peg at the top of part **26L**. The other end of the cable connection **26E** fits in a hole in the floor **17E**.

**8****9****#026-09**

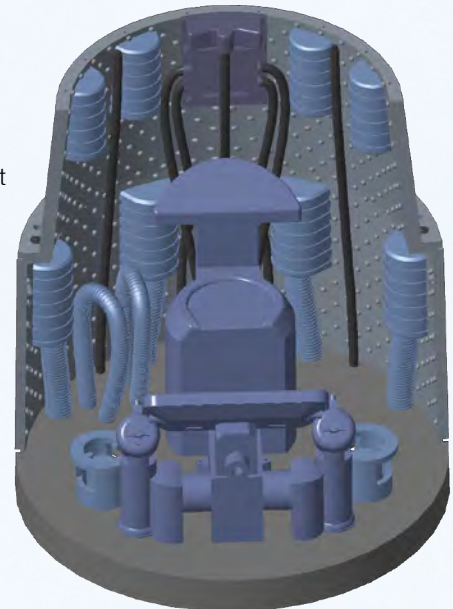
The two cable connections **26G** run from next to the containers **24A** and **25B** to the floor **17E**. The pegs on the lower ends of parts **26G** are D-shaped, and fit into corresponding holes in part **17E**. The upper end of these two connection wires are not attached at this stage. You may wish to tape them in place temporarily.

**COMPLETED WORK****#26-COMPLETED WORK**

An integrator and a range of cable connections have been fitted inside the control unit.



Cable connections **26A**, **26B**, **26C**, **26D** and two parts **26F** are not fitted at this stage.



# THE DALEK

COMING IN  
ISSUE 27

## BUILD PART 27

A neck wall section, trim strip and two limit switches. Plus all the necessary screws to fix them in position.



## THE TIME VORTEX



Dalek hierarchy – we reveal the top dogs of Dalek society!

## ADVENTURES IN TIME AND SPACE



The Doctor returns to the 20th century to prevent catastrophe!

Every week at your newsagent! Visit [hachettepartworks.com/Dalek](http://hachettepartworks.com/Dalek)