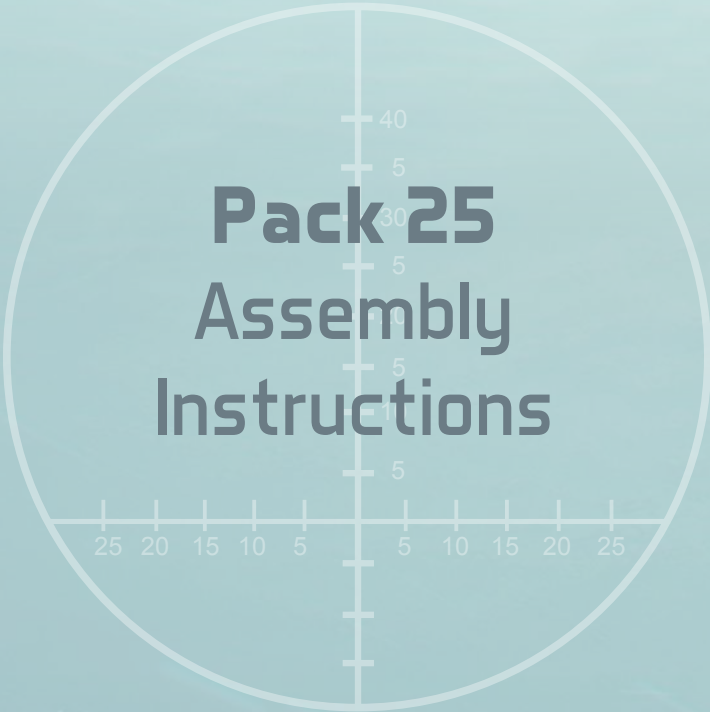


# U 96

---

# U-BOAT



## Pack 25 Assembly Instructions

**Kit 97: The hull**

**Kit 98: Another hull section**

**Kit 99: The next hull section**

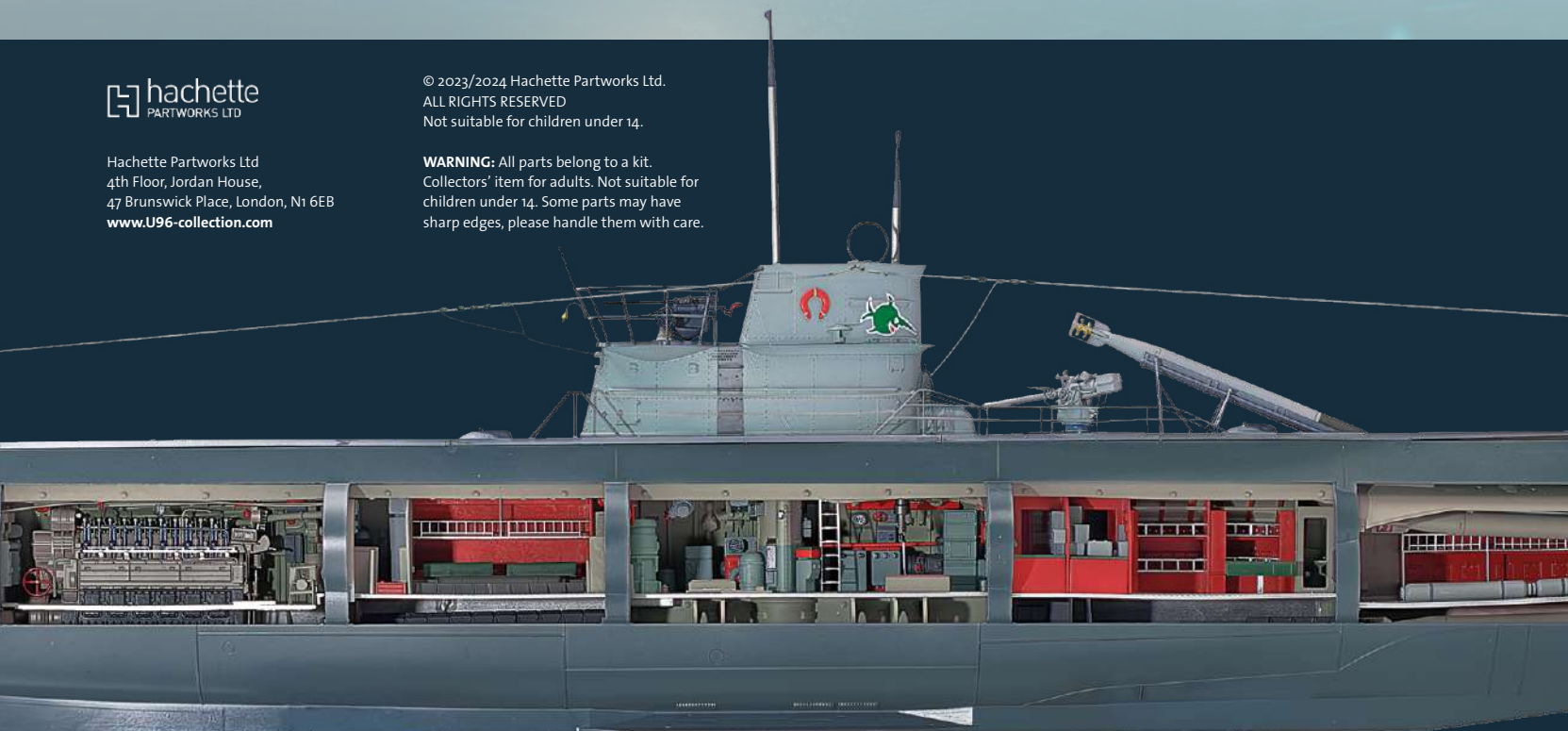
**Kit 100: Container for reserve torpedo**



Hachette Partworks Ltd  
4th Floor, Jordan House,  
47 Brunswick Place, London, N1 6EB  
[www.U96-collection.com](http://www.U96-collection.com)

© 2023/2024 Hachette Partworks Ltd.  
ALL RIGHTS RESERVED  
Not suitable for children under 14.

**WARNING:** All parts belong to a kit.  
Collectors' item for adults. Not suitable for  
children under 14. Some parts may have  
sharp edges, please handle them with care.

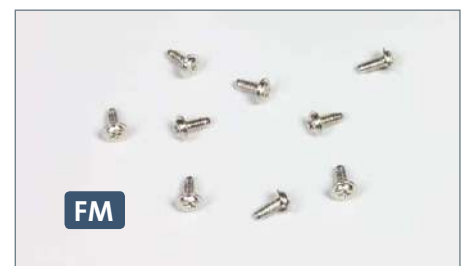


# Kit 97: The hull

In this kit, a connector and new section are added to the hull superstructure.



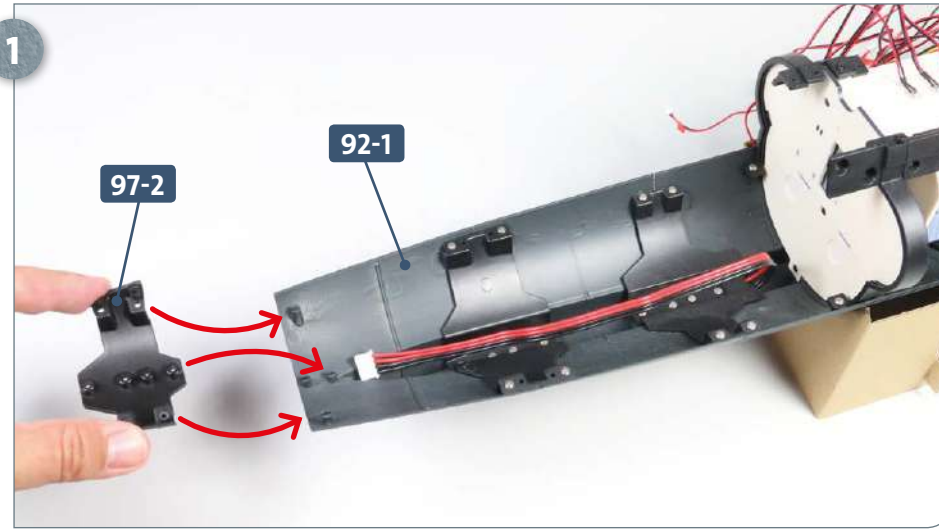
Parts reference list	
Part no.	Name
97-1	Lower hull plate section
97-2	Connector



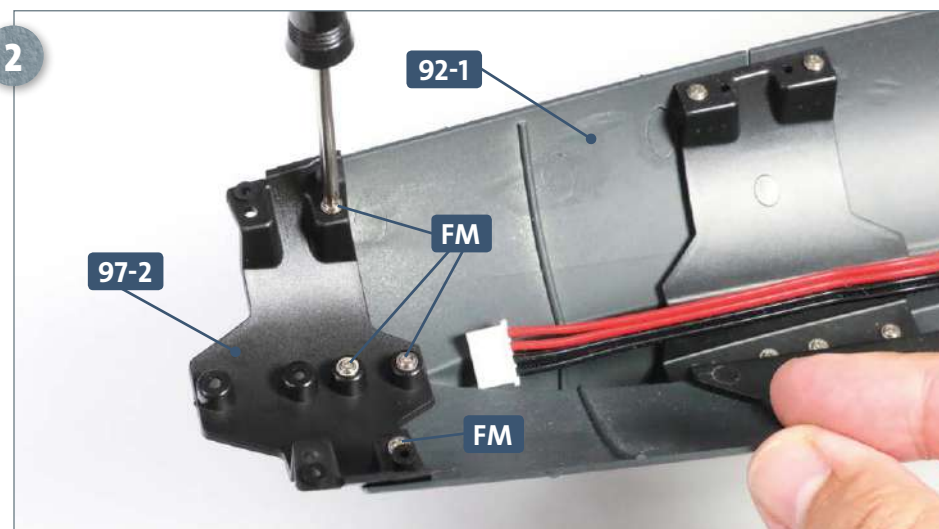
Screws		
Ref	No.	Dimension
FM	8 + 1	2 x 4 mm (PWD)

## Kit 97: The hull

### STAGE 1 → Adding the connector and hull plate



Place the main assembly on your work surface. Take connector **97-2**, position it as pictured, left, and fit its front holes to the corresponding raised sockets on the lower hull section **92-1**, as shown by the arrows.

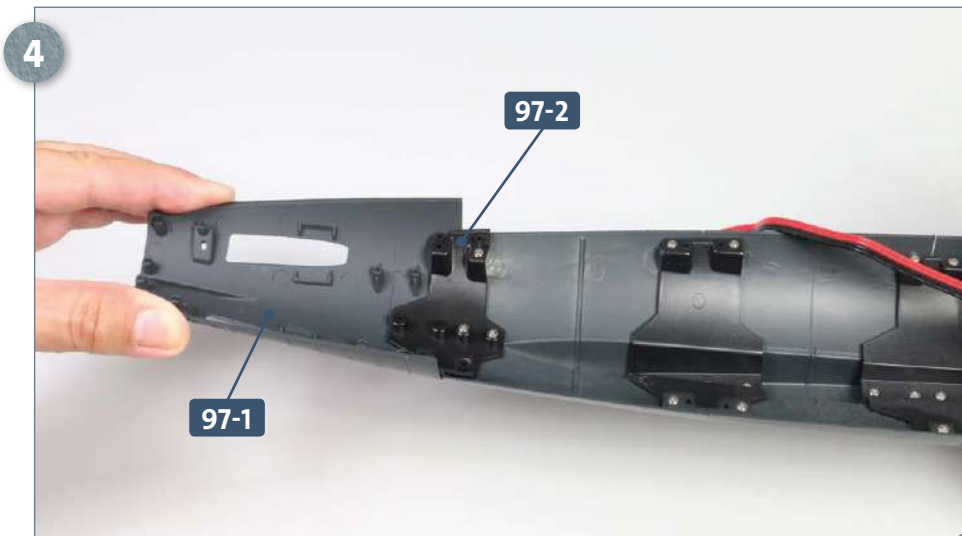


Fix in place using four **FM** screws.

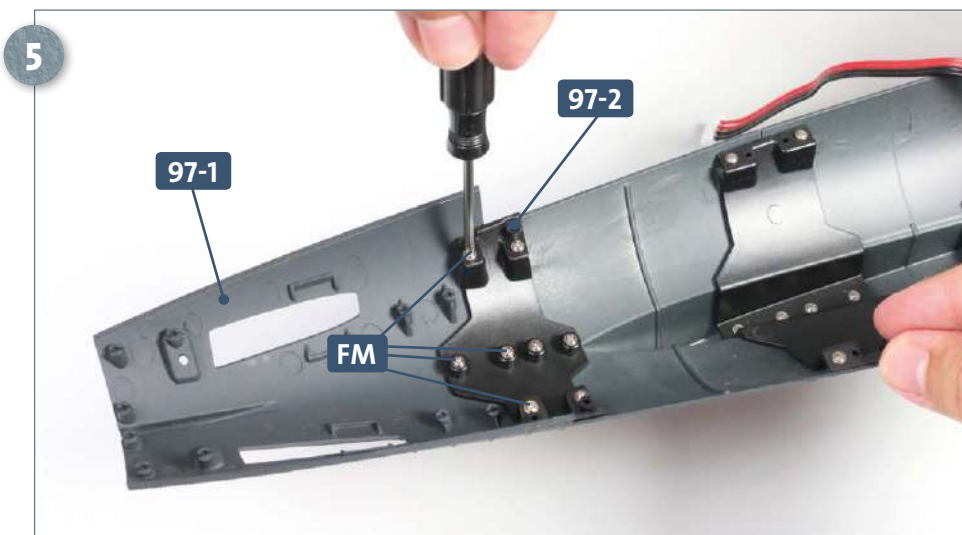


Next, have ready the new hull section **97-1** and four **FM** screws.

## Kit 97: The hull

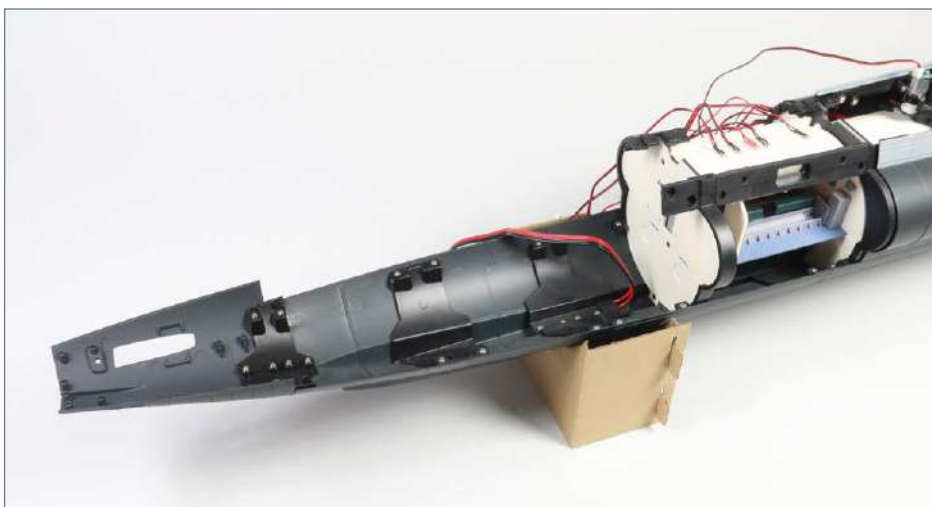


Fit the hull plate **97-1** beneath the connector **97-2**, so that the raised sockets and holes of the two parts are aligned.



Attach the hull plate **97-1** to the connector **97-2** with four **FM** screws, as pictured. Make sure the model is fully supported when tightening the screws.

### COMPLETED WORK



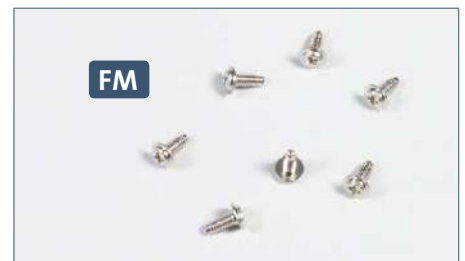
**A new part has now been added to the aft area of the hull.**

# Kit 98: Another hull section

In this kit, three connectors are attached to a section of the portside hull.



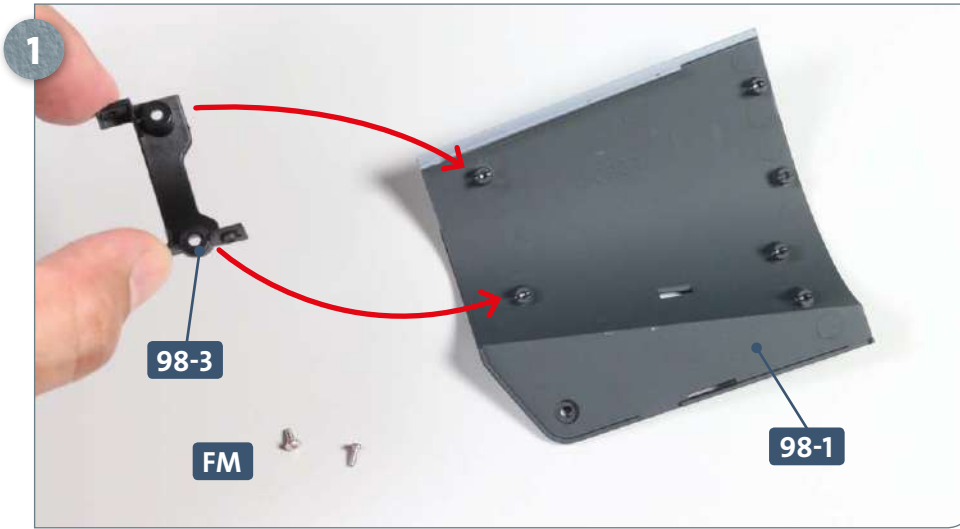
Parts reference list	
Part no.	Name
98-1	Port (L) hull plate
98-2	Connector
98-3	Connector
98-4	Connector



Screws		
Ref	No.	Dimensions
FM	6 + 1	2 x 4 mm (PWD)



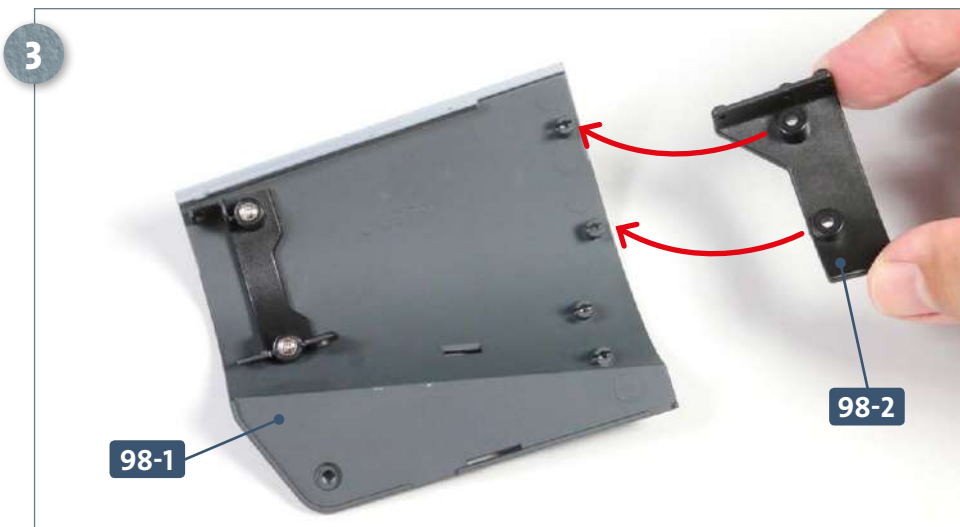
STAGE 1 → Adding the connectors



Place the portside hull plate **98-1** and two **FM** screws on your work surface. Take connector **98-3**, positioned as shown in the photo, left, and fit it onto the raised sockets on the hull plate as indicated by the two arrows.

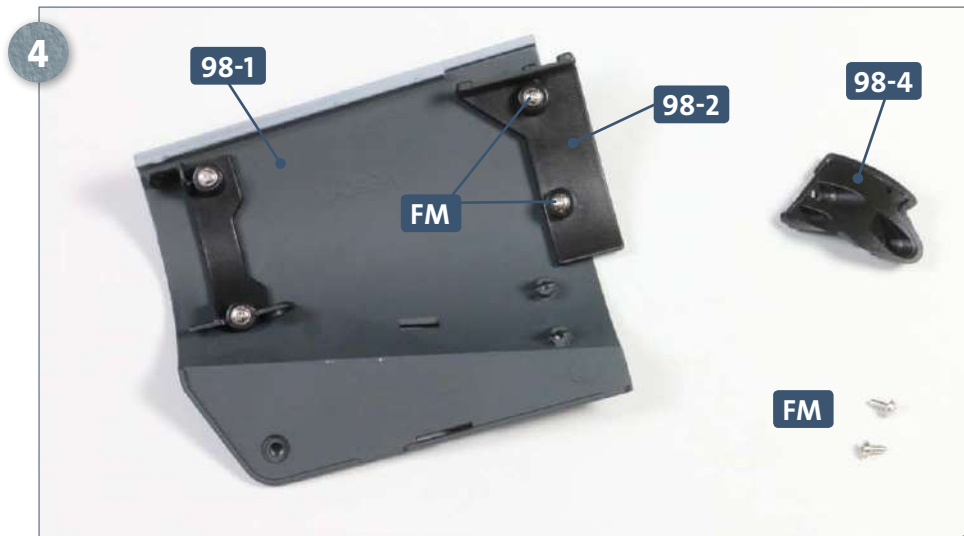


Fix in place using two **FM** screws.

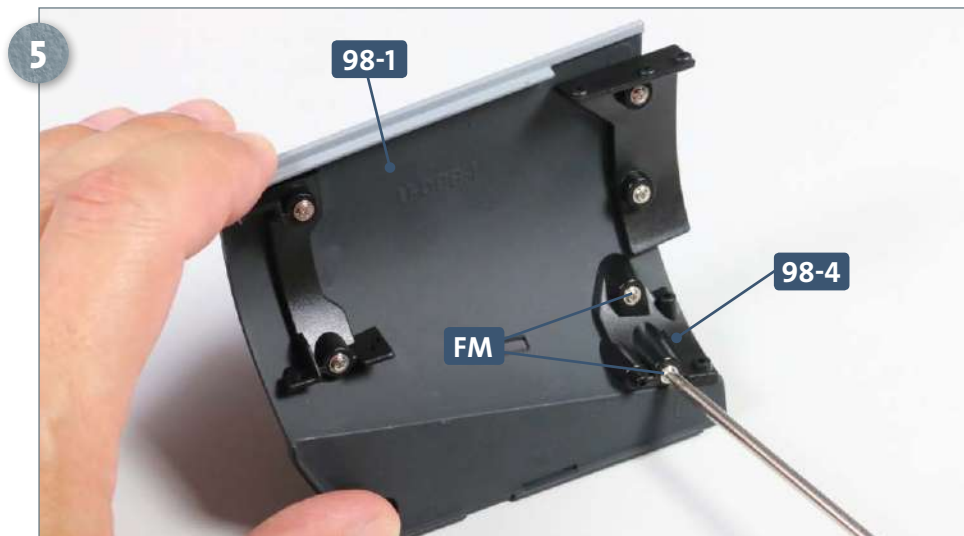


Take connector **98-2** and holding it as pictured, fit it to the raised sockets on the hull plate **98-1**, as indicated by the two arrows.

## Kit 98: Another hull section



Attach connector **98-2** to the hull plate **98-1** using two **FM** screws. Have ready connector **98-4** and two more **FM** screws.



Fasten the connector **98-4** to the hull section **98-1**, using the two **FM** screws, as shown.

### COMPLETED WORK



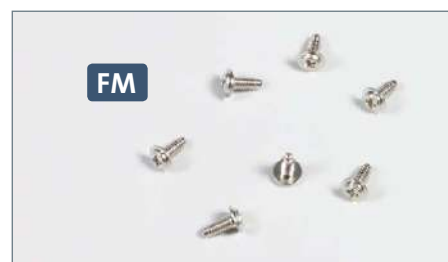
**Three connecting parts have now been attached to a portside hull plate.**

# Kit 99: The next hull section

In this kit, three connectors are attached to a starboard (R) side hull plate.



Parts reference list	
Part no.	Name
99-1	Starboard (R) hull section
99-2	Connector
99-3	Connector
99-4	Connector



Screws		
Ref	No.	Dimensions
FM	6 + 1	2 x 4 mm (PWD)

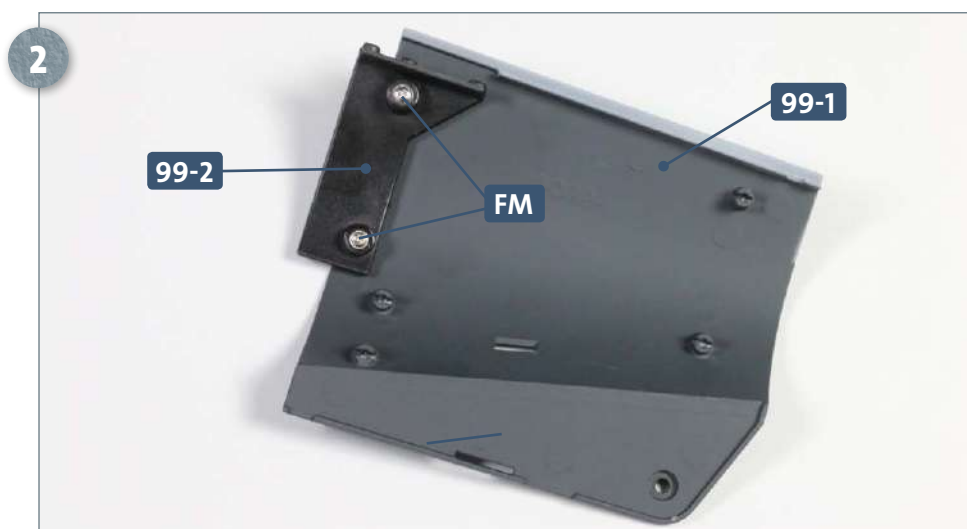


## Kit 99: The next hull section

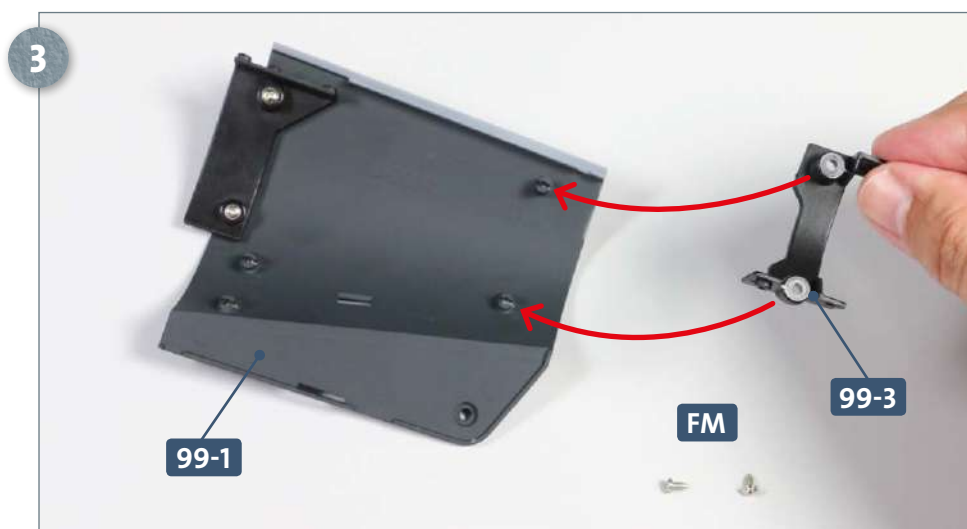
### STAGE 1 → Attaching the connectors



Place the starboard (R) hull section **99-1** on your work surface. Take connector **99-2**, oriented as pictured, and fit it onto the raised sockets on the hull plate, as indicated by the arrows.

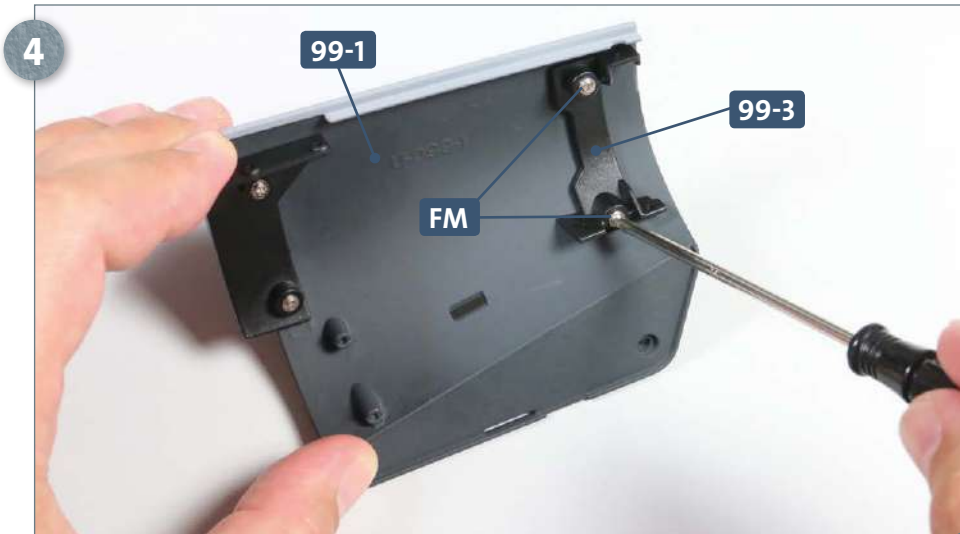


Fasten the connector in place using two **FM** screws.

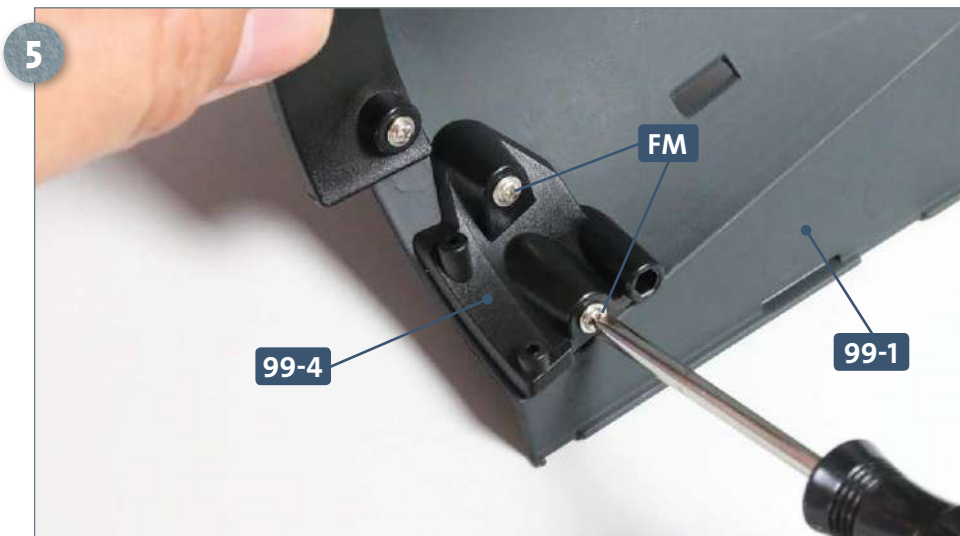


Holding connector **99-3** as shown in the photo, place it onto the raised sockets on the hull plate **99-1**, shown by the two arrows. Have ready two **FM** screws.

## Kit 99: The next hull section



Attach connector **99-3** to the hull plate **99-1** using the two **FM** screws, as shown, left.



Take connector **99-4**, fit it onto the remaining raised sockets of the hull plate **99-1**, and fasten in place using two **FM** screws.

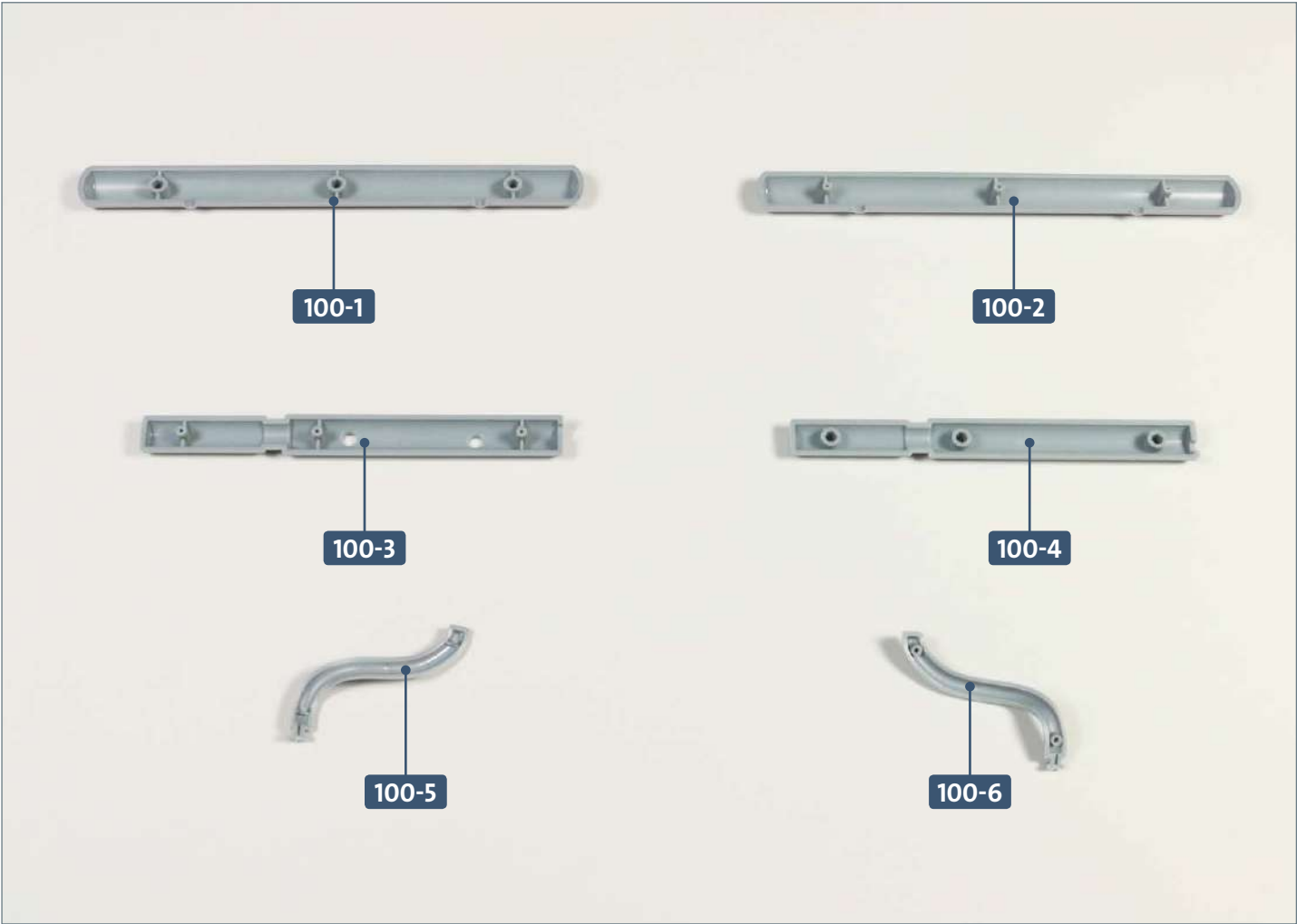
### COMPLETED WORK



**Three connecting parts have now been attached to the starboard (R) hull plate.**

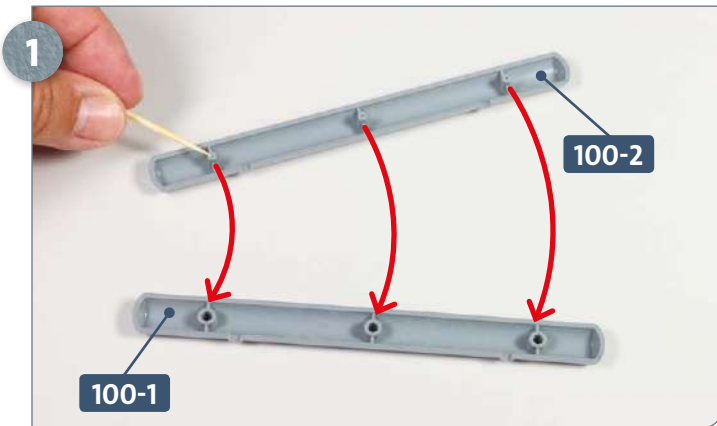
# Kit 100: Container for reserve torpedo

In this kit, the container to be fitted to the upper deck for the reserve torpedo is assembled, along with the muffler. Both assemblies are then attached to the deckhead of the electric motor room.

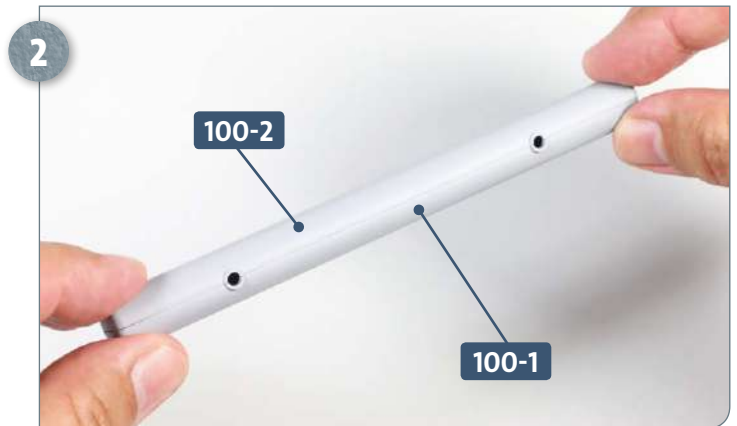


Parts reference list	
Part no.	Name
100-1	Container for reserve torpedo
100-2	Container for reserve torpedo
100-3	Muffler and exhaust
100-4	Muffler and exhaust
100-5	Exhaust pipe
100-6	Exhaust pipe

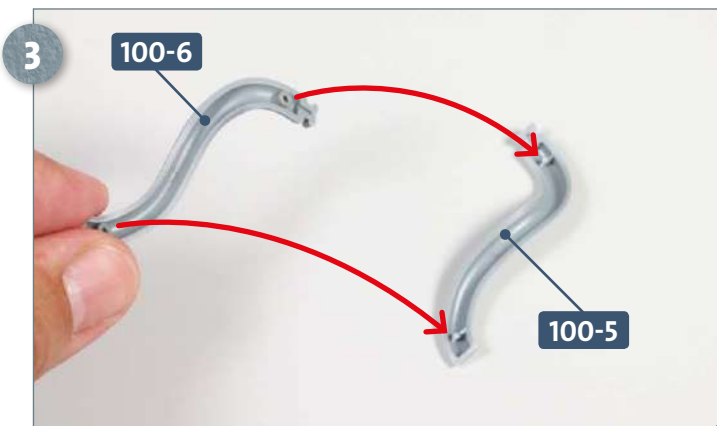
**STAGE 1** → Assembly of torpedo container and exhaust



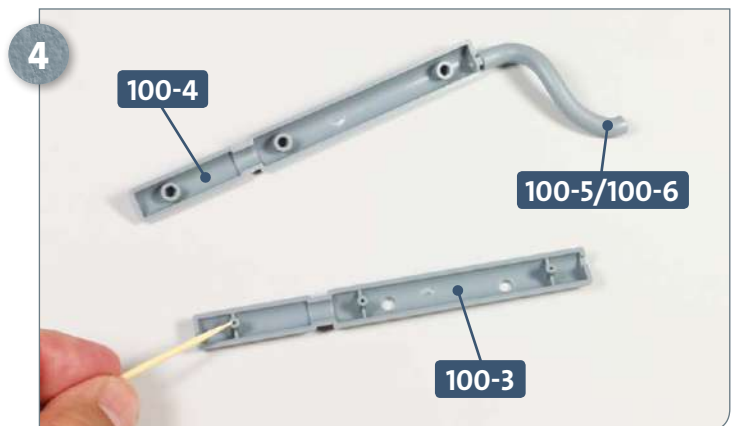
Place both halves of the torpedo container, **100-1** and **100-2**, on your work surface. Apply some glue to the pegs of **100-2** then insert these into the holes in **100-1** as pictured.



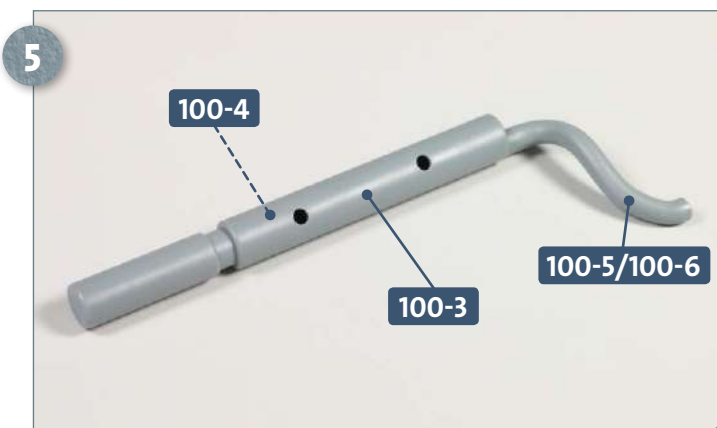
This photograph shows both halves of the reserve torpedo container **100-1** and **100-2** joined together.



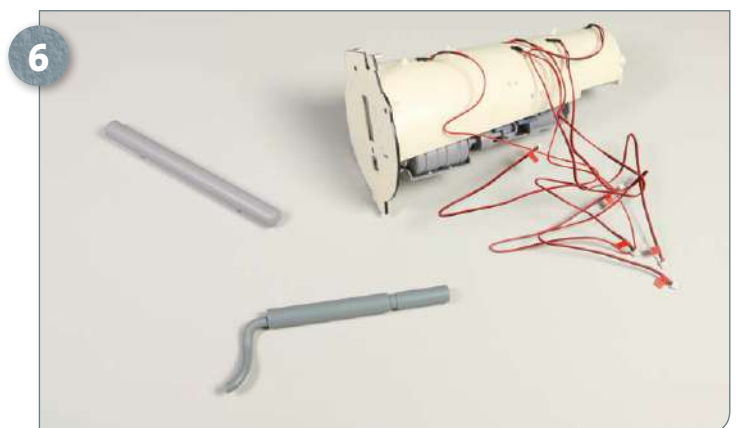
Take both parts of the exhaust pipe, **100-5** and **100-6** and apply some glue to the pegs of **100-5** before joining the two parts together, as indicated by the arrows.



Have ready the two parts of the muffler, **100-3** and **100-4**. Insert the notched part of the assembled exhaust pipe **100-5/100-6** into the recess of part **100-4**. Apply some glue to the pegs of part **100-3**.



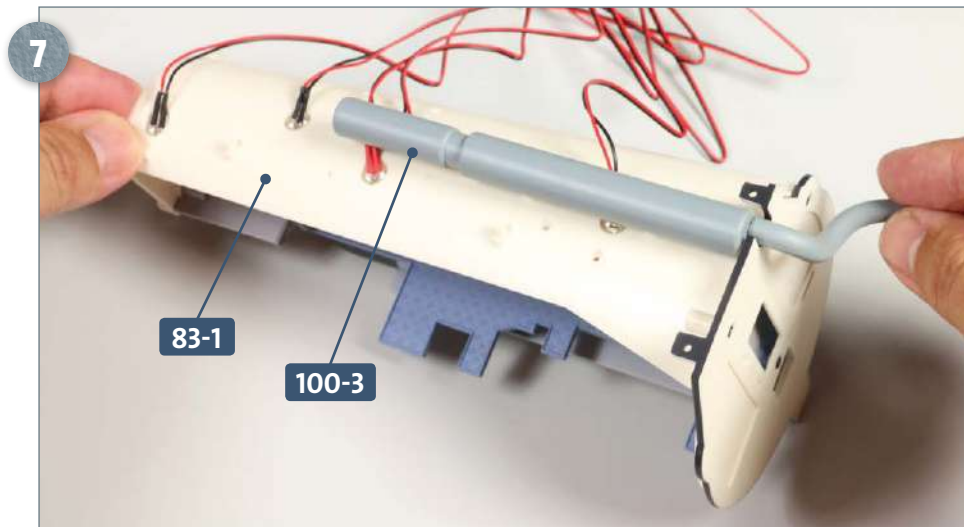
Glue the two parts of the muffler **100-3** and **100-4** together. This also encloses the exhaust pipe **100-5/100-6** within the assembly, as shown.



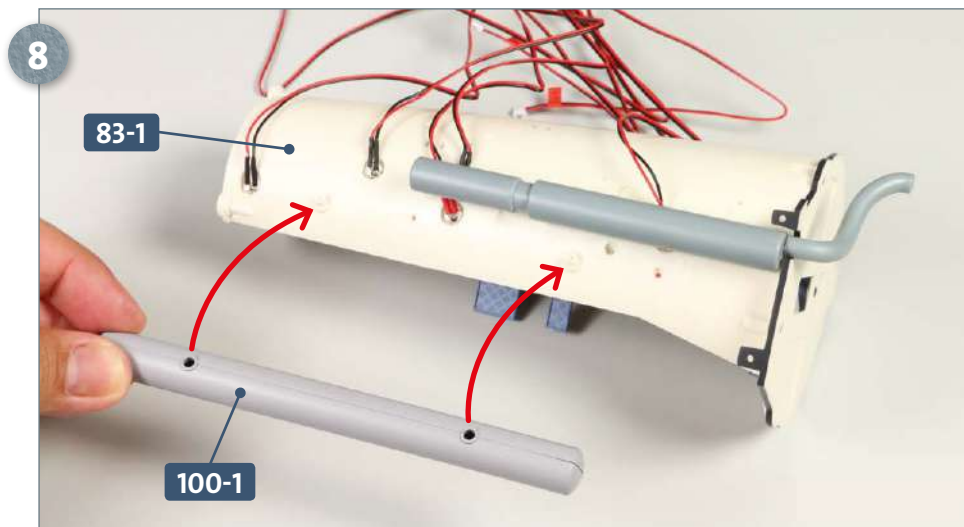
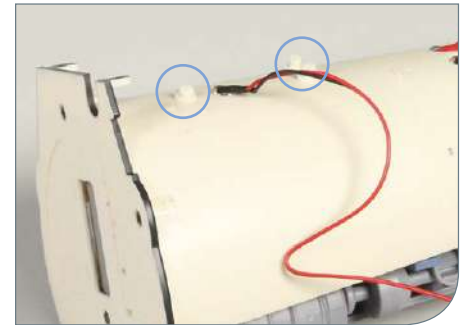
Take the electric motor room and place it on your work surface alongside the torpedo container and exhaust/muffler assembly.



## Kit 100: Container for reserve torpedo

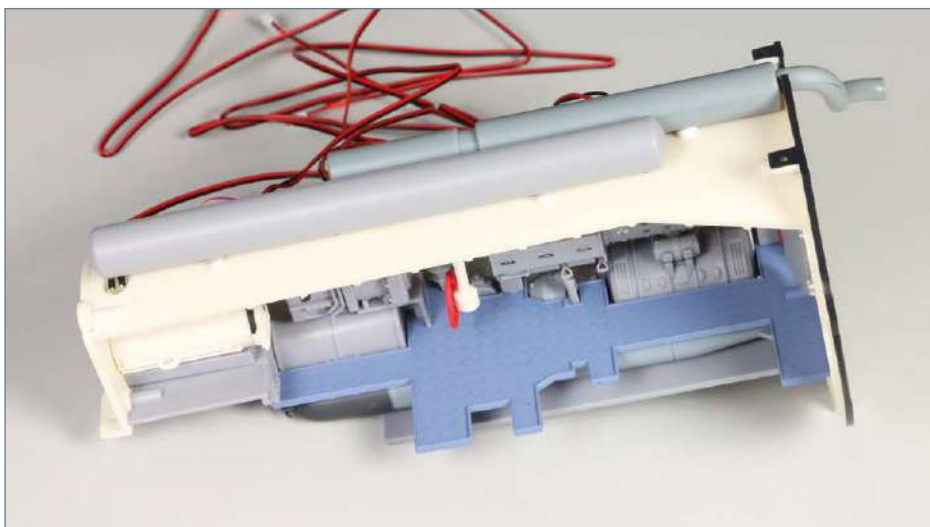


The muffer **100-3** is temporarily fitted to the raised sockets (circled below) towards the aft end of the deckhead **83-1**, as shown. Do not glue in place now. It will be glued in kit 108.



Finally, glue the torpedo container **100-1** to the deckhead of the electric motor room **83-1**. Do this by applying some glue to the two pegs indicated by the arrows.

## COMPLETED WORK



The container for the reserve torpedo and a muffer with attached exhaust pipe have now been mounted on the deckhead of the electric motor room.